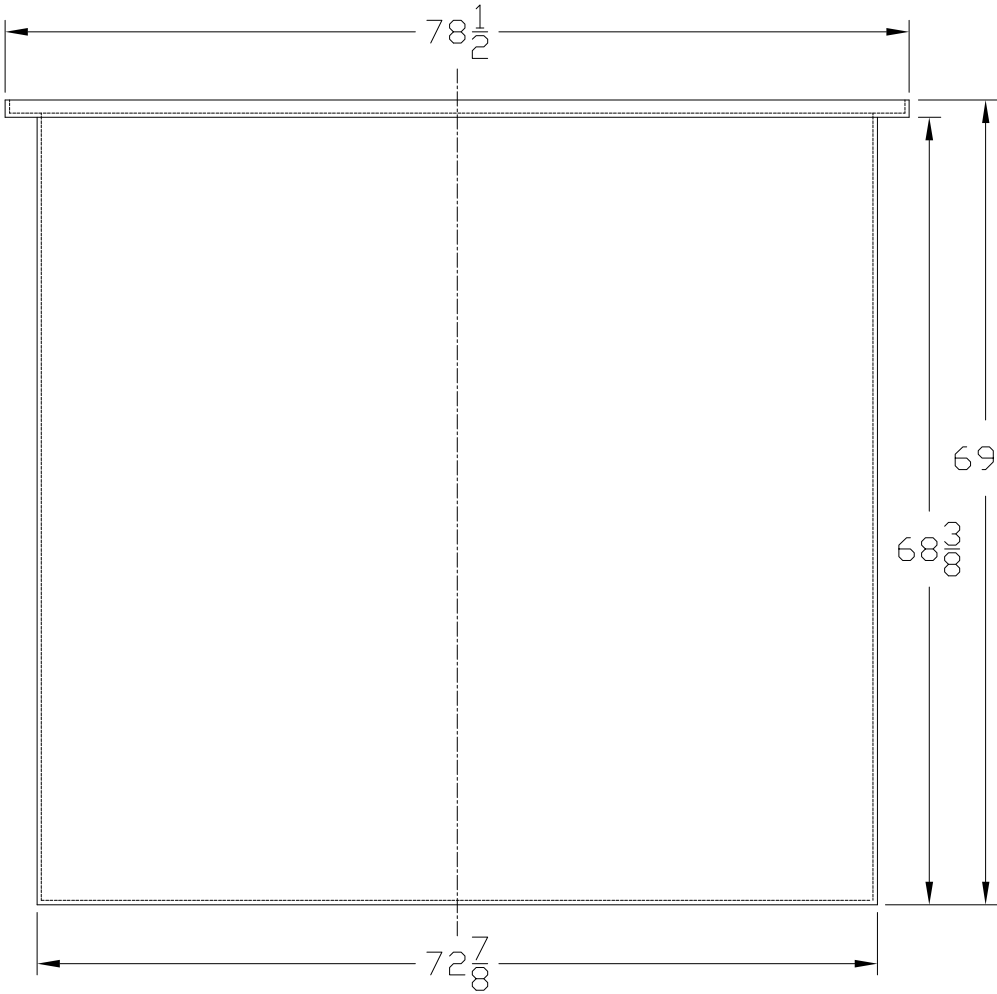
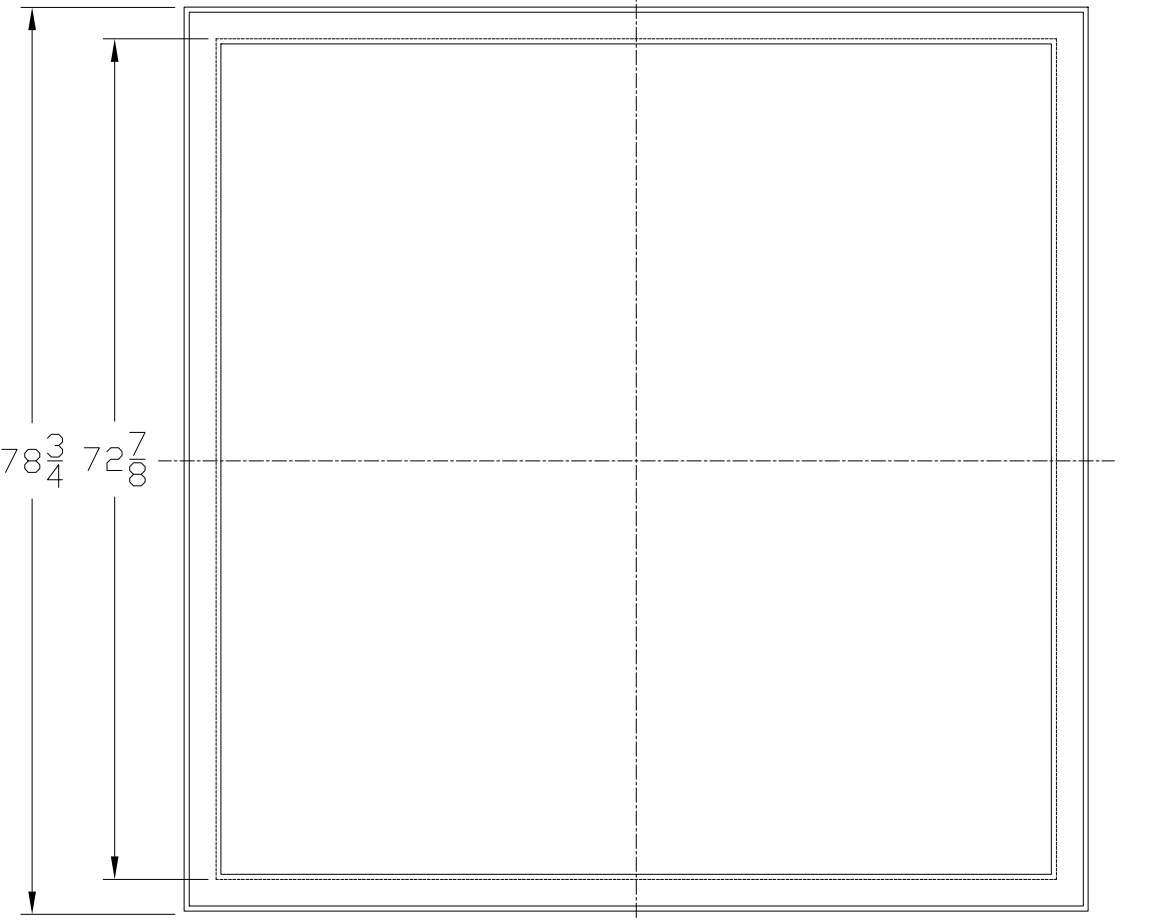


THIS DRAWING & DESIGN IS THE PROPERTY OF CHEM-TAINER INDUSTRIES INC. IT MAY NOT BE USED FOR ANY PURPOSE OTHER THAN BY THE OWNER. CHEM-TAINER DOES NOT AUTHORIZE THE REPRODUCTION OR CONVEYANCE OF ANY INFORMATION CONTAINED HEREIN.



ALL DIMENSIONS SHOWN ARE OUTSIDE PART DIMENSIONS IN INCHES, AND VARY BY THE STANDARD ROTATIONAL MOLDING TOLERANCE OF +2--3%.

Rev. 0	Date 10/31/00	File Name	727266-1
<b>CHEM-TAINER</b>		Date	10/31/00
361 Neptune Ave. (631) 661-8300		Industries Inc. W.Babylon, NY 11704 Fax: (631) 661-8209	Drawn By: IIA
TITLE		Mold Location	
1150 GAL. RECTANGULAR TANK		NY	
Part #	Dwg. #		
R727266AB/CD	C-727266-11		