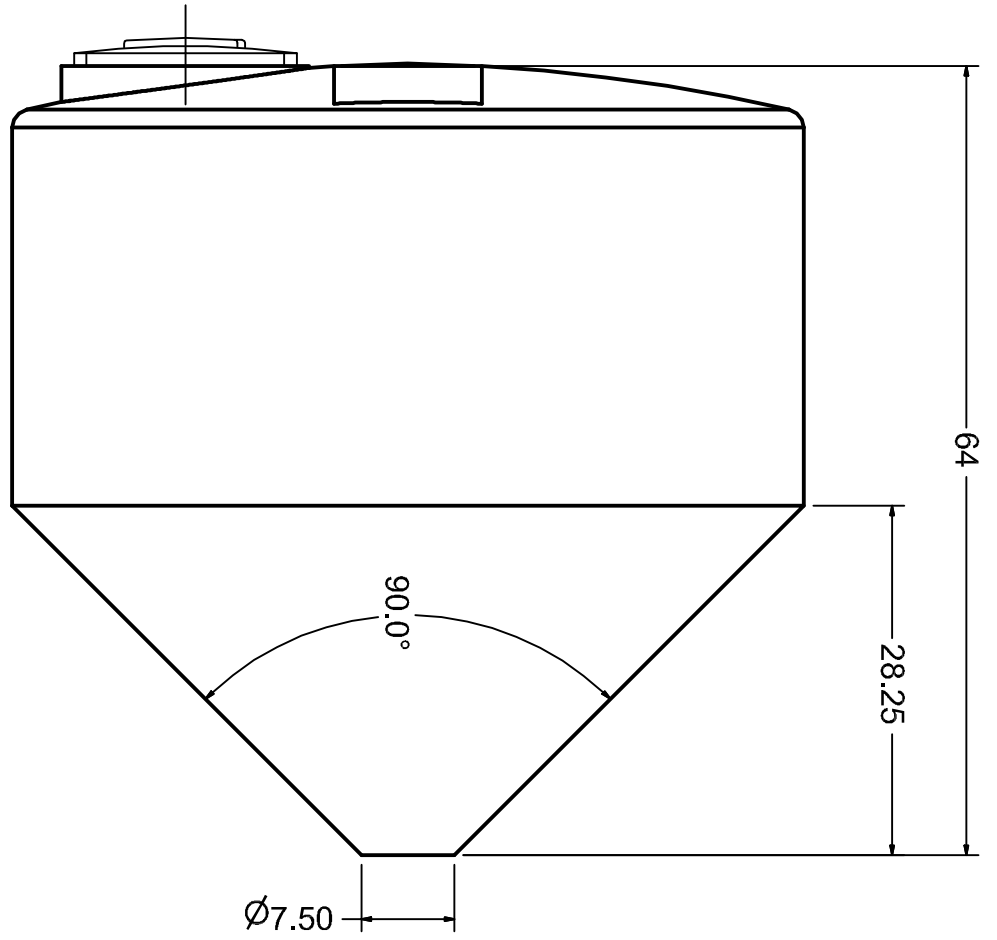


16" MANWAY

FLAT AREA FOR FITTINGS



UNLESS OTHERWISE SPECIFIED DIMENSIONS ARE IN INCHES. TOLERANCES ON: FRACTIONS		UNLESS NOTED SURFACE FINISH	
XX	DECIMAL	125	NHA:
+ .1/32	.XX	✓	
+ .02	.XXX		
	+ .005		
	ANGLES		
	+ 1°		

THIS DRAWING AND DESIGN IS THE PROPERTY OF CHEM-TAINER INDUSTRIES INC. IT MAY NOT BE USED FOR ANY PURPOSE OTHER THAN BY THE OWNER. CHEM-TAINER DOES NOT AUTHORIZE THE REPRODUCTION OR CONVEYANCE OF ANY INFORMATION CONTAINED THEREIN.

DRAWN	CRS CAD	1/22/2014	CHEM-TAINER INDUSTRIES INC. 44 DAVINCI DRIVE BOHEMIA, NY 11716
CHECKED			
QA			TITLE 500 GALLON 45 DEG. CONE BTM TANK
APPROVED			
SIZE	C	DWG NO	TC6568JA / JC
SCALE		REV	
SHEET	1	OF	1