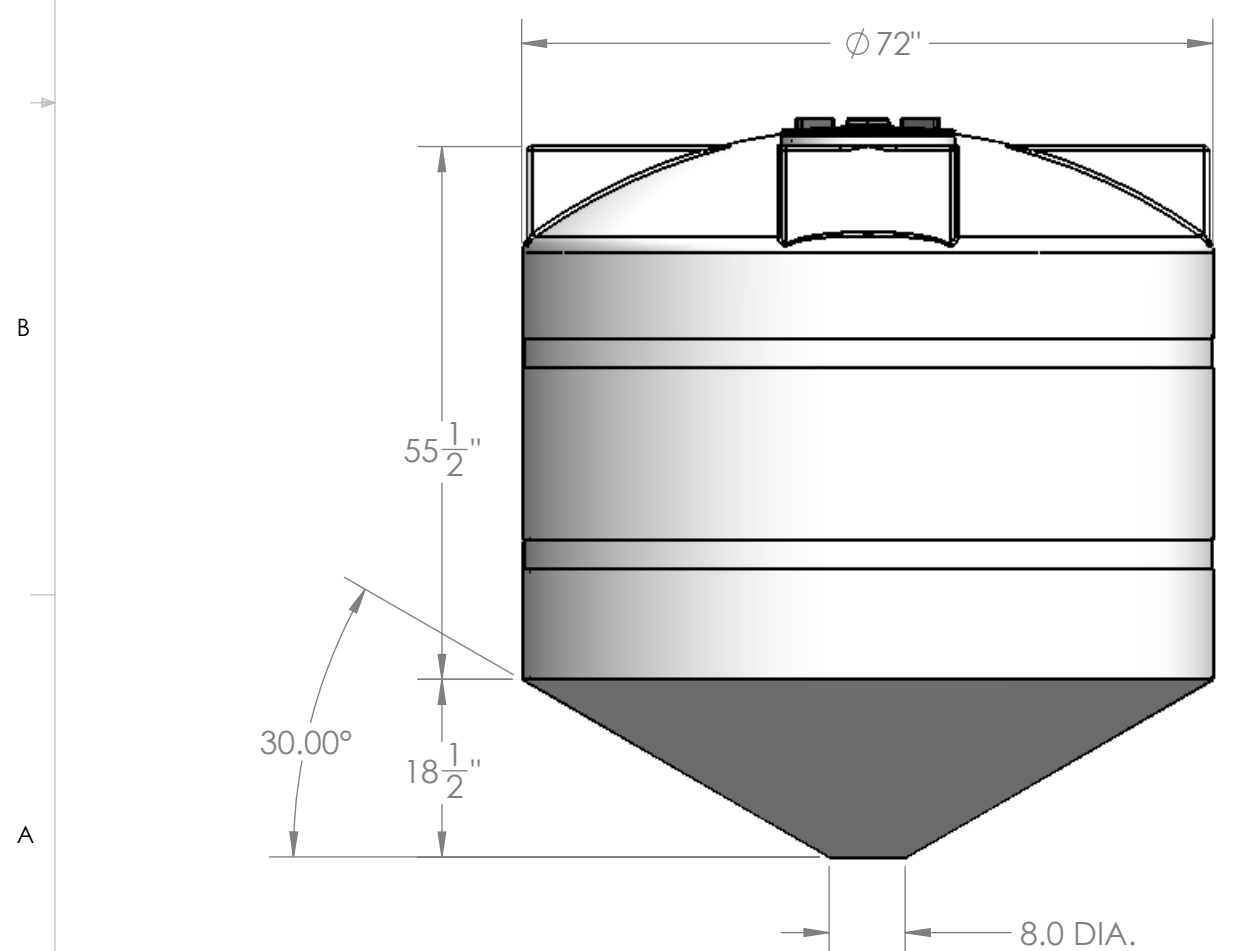
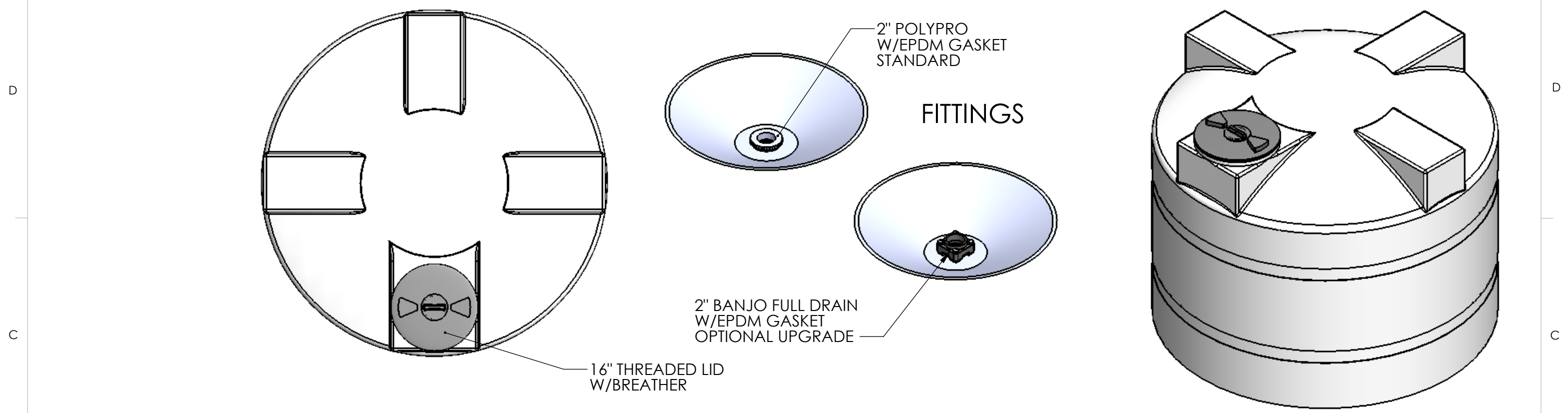


8 7 6 5 4 3 2 1



- NOTES:
1. MATERIAL: HDPE
 2. WEIGHT: 225 LBS.
 3. RATED: 2.0 S.G

PROPRIETARY AND CONFIDENTIAL
 THE INFORMATION CONTAINED IN THIS DRAWING IS THE SOLE PROPERTY OF <INSERT COMPANY NAME HERE>. ANY REPRODUCTION IN PART OR AS A WHOLE WITHOUT THE WRITTEN PERMISSION OF <INSERT COMPANY NAME HERE> IS PROHIBITED.

		UNLESS OTHERWISE SPECIFIED:		NAME	DATE	CUSTOM ROTO-MOLDING, INC.	
		DIMENSIONS ARE IN INCHES		DRAWN	EBW	6-14-12	TITLE:
		TOLERANCES:		CHECKED			1000 GALLON CONE BOTTOM TANK
		FRACTIONAL ±		ENG APPR.			
		ANGULAR: MACH ± BEND ±		MFG APPR.			
		TWO PLACE DECIMAL ±		Q.A.			SIZE
		THREE PLACE DECIMAL ±		COMMENTS:			DWG. NO.
		INTERPRET GEOMETRIC TOLERANCING PER:					REV
		MATERIAL					1000 CB
		FINISH					
NEXT ASSY	USED ON	DO NOT SCALE DRAWING					SCALE: 1:32
APPLICATION							WEIGHT:
							SHEET 1 OF 1

8 7 6 5 4 3 2 1