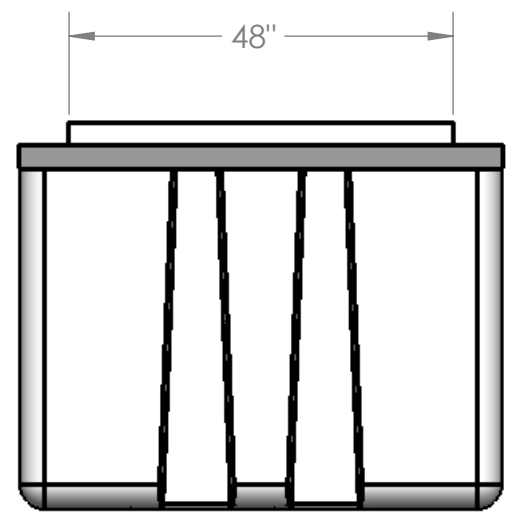
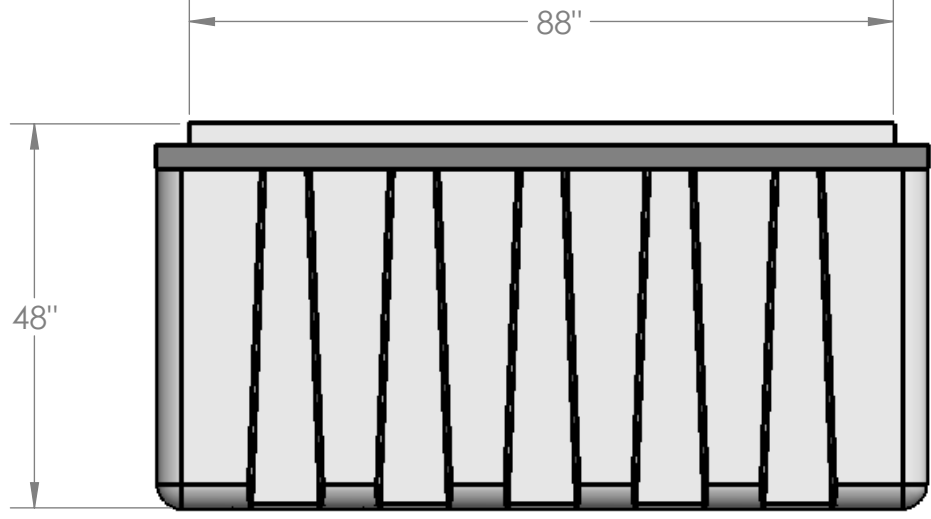
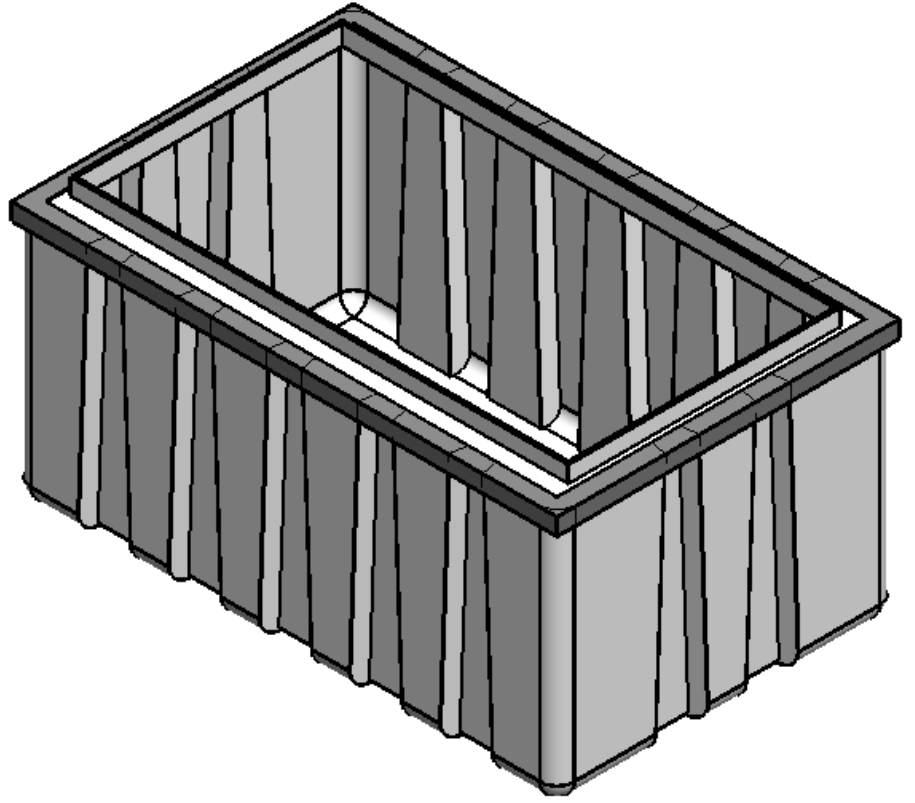
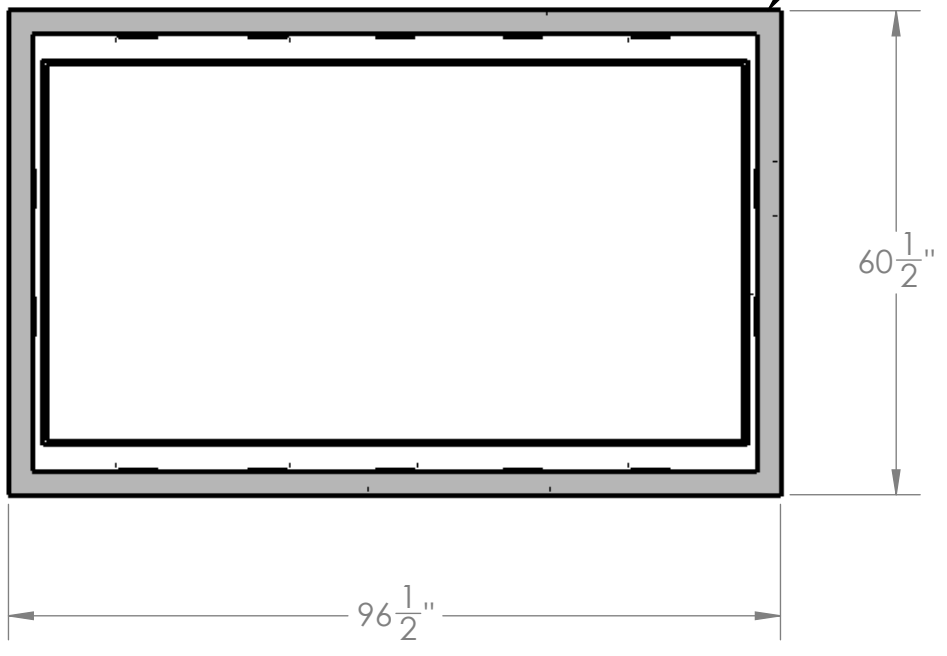


D
C
B
A

D
C
B
A

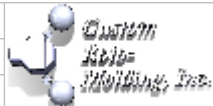
STEEL SUPPORT FRAME



NOTES:

- 1. MATERIAL: HDPE
- 2. MOLDED WT. 425 LBS.

PROPRIETARY AND CONFIDENTIAL
 THE INFORMATION CONTAINED IN THIS DRAWING IS THE SOLE PROPERTY OF <INSERT COMPANY NAME HERE>. ANY REPRODUCTION IN PART OR AS A WHOLE WITHOUT THE WRITTEN PERMISSION OF <INSERT COMPANY NAME HERE> IS PROHIBITED.

		UNLESS OTHERWISE SPECIFIED:		NAME	DATE
		DIMENSIONS ARE IN INCHES TOLERANCES: FRACTIONAL ± ANGULAR: MACH ± BEND ± TWO PLACE DECIMAL ± THREE PLACE DECIMAL ±		DRAWN EBW	1-13-14
		INTERPRET GEOMETRIC TOLERANCING PER:		CHECKED	
		MATERIAL		ENG APPR.	
		FINISH		MFG APPR.	
NEXT ASSY	USED ON			Q.A.	
APPLICATION		DO NOT SCALE DRAWING		COMMENTS:	
				 TITLE: 1000 GALLON RECTANGULAR OPEN TOP TANK	
		SIZE	DWG. NO.	REV	
		B	1000 ROTT		
			SCALE: 1:24	WEIGHT:	SHEET 1 OF 1