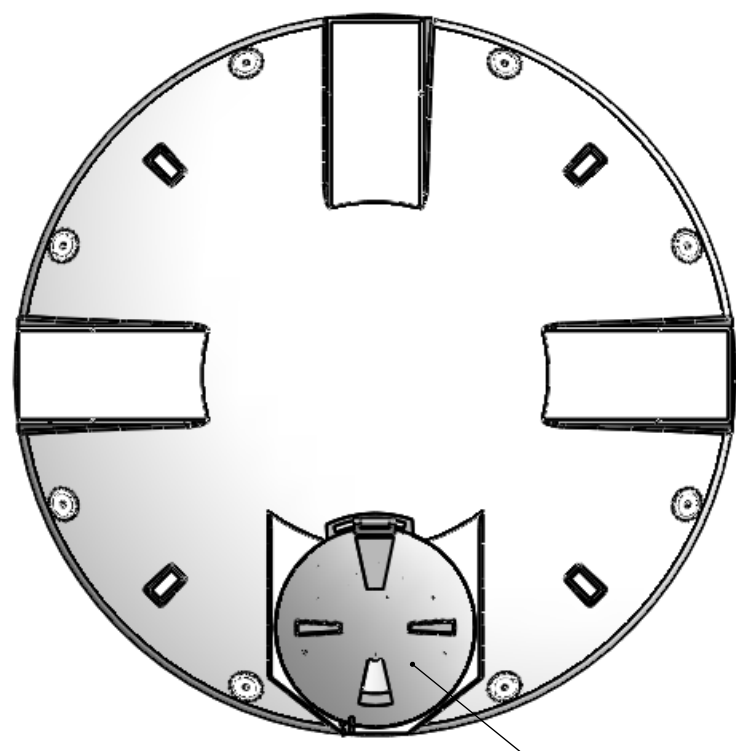


D
C
B
A

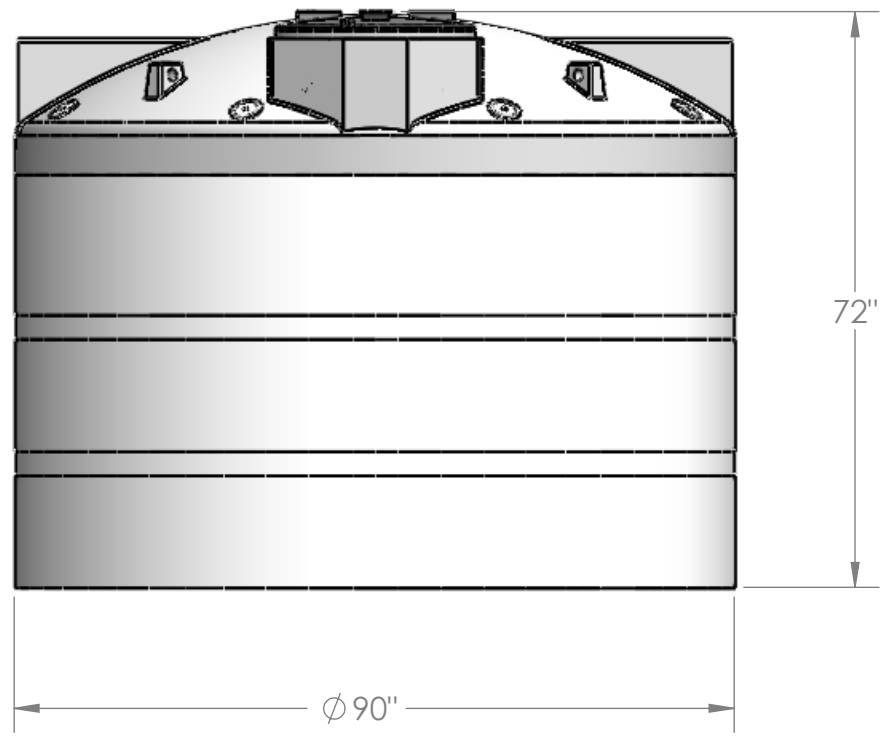
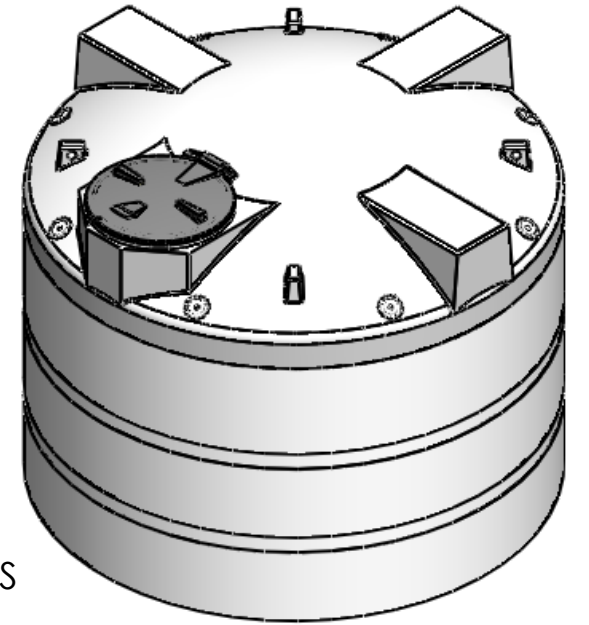
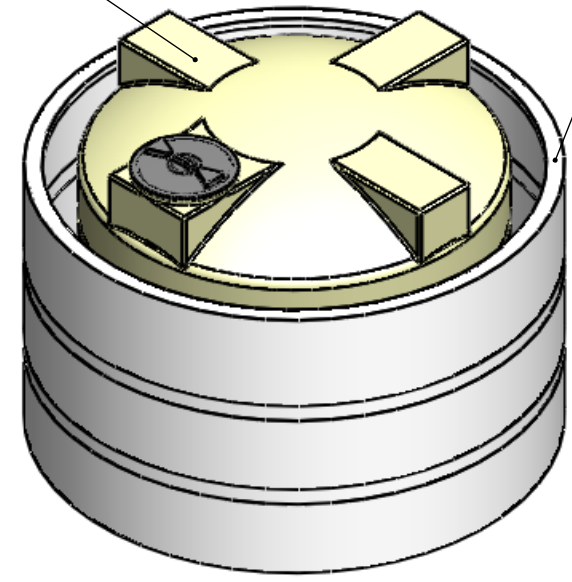
D
C
B
A



24" NON-VENTED LOCKING LID

1000 VT XLPE

OVERPACK



NOTES:

1. PRIMARY TANK CAPACITY: 1000 GALLONS
2. OVERPACK CAPACITY: 1300 GALLONS
3. MATERIAL: TANK: NAT. XLPE
OVERPACK: HDPE
4. SHIPPING WEIGHT: 470 LBS.

PROPRIETARY AND CONFIDENTIAL
THE INFORMATION CONTAINED IN THIS DRAWING IS THE SOLE PROPERTY OF <INSERT COMPANY NAME HERE>. ANY REPRODUCTION IN PART OR AS A WHOLE WITHOUT THE WRITTEN PERMISSION OF <INSERT COMPANY NAME HERE> IS PROHIBITED.

		UNLESS OTHERWISE SPECIFIED:		NAME	DATE	CUSTOM ROTO-MOLDING, INC.			
		DIMENSIONS ARE IN INCHES		DRAWN	EBW	1-23-12	TITLE: 1000 VT XL ENCAPSULATED		
		TOLERANCES:		CHECKED					
		FRACTIONAL ±		ENG APPR.					
		ANGULAR: MACH ± BEND ±		MFG APPR.					
		TWO PLACE DECIMAL ±		Q.A.			SIZE	DWG. NO.	REV
		THREE PLACE DECIMAL ±		COMMENTS:			B	1000 VTEXTL	
		INTERPRET GEOMETRIC TOLERANCING PER:					SCALE: 1:32	WEIGHT:	SHEET 1 OF 1
		MATERIAL							
		FINISH							
NEXT ASSY	USED ON	APPLICATION		DO NOT SCALE DRAWING					