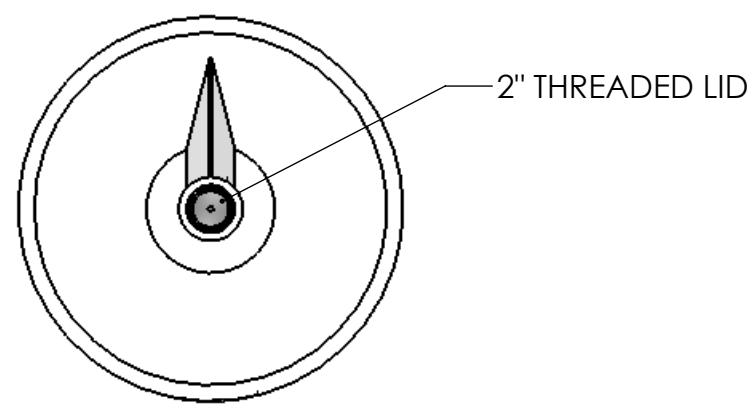
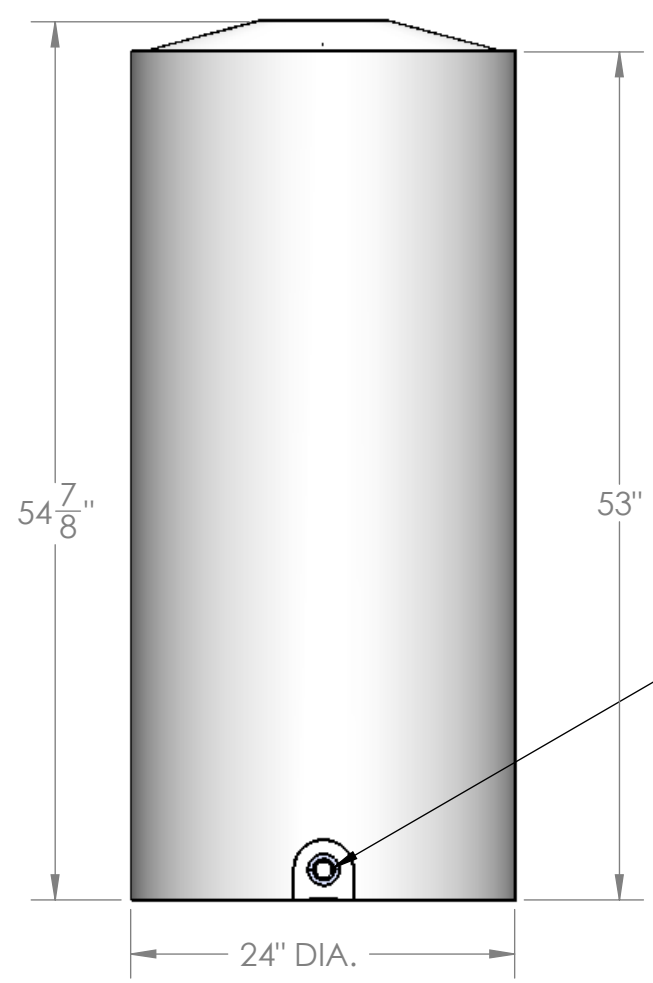


8 7 6 5 4 3 2 1

D
C
B
A



2" THREADED LID

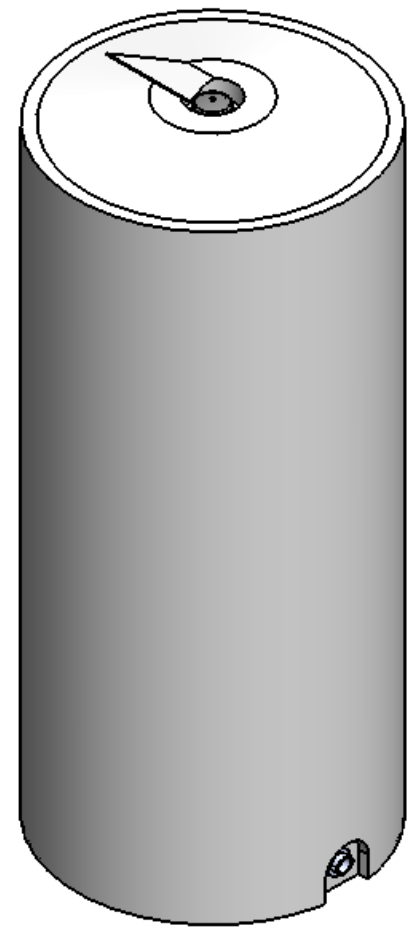


3/4" NPT
RAISED FITTING

24" DIA.

54 ⁷/₈"

53"



- NOTES:
1. MATERIAL: HDPE
 2. WEIGHT: 26 LBS
 3. CAPACITY: 100 GALLONS

PROPRIETARY AND CONFIDENTIAL
 THE INFORMATION CONTAINED IN THIS DRAWING IS THE SOLE PROPERTY OF <INSERT COMPANY NAME HERE>. ANY REPRODUCTION IN PART OR AS A WHOLE WITHOUT THE WRITTEN PERMISSION OF <INSERT COMPANY NAME HERE> IS PROHIBITED.

		UNLESS OTHERWISE SPECIFIED:		NAME	DATE	CUSTOM ROTO-MOLDING, INC.	
		DIMENSIONS ARE IN INCHES TOLERANCES: FRACTIONAL ± ANGULAR: MACH ± BEND ± TWO PLACE DECIMAL ± THREE PLACE DECIMAL ±		DRAWN	EBW	10-11-10	TITLE:
		INTERPRET GEOMETRIC TOLERANCING PER:		CHECKED			100 GALLON VERTICAL TANK
		MATERIAL		ENG APPR.			SIZE
		FINISH		MFG APPR.			DWG. NO.
NEXT ASSY	USED ON			Q.A.			REV
APPLICATION		DO NOT SCALE DRAWING		COMMENTS:			SCALE: 1:16
							WEIGHT:
							SHEET 1 OF 1

8 7 6 5 4 3 2 1