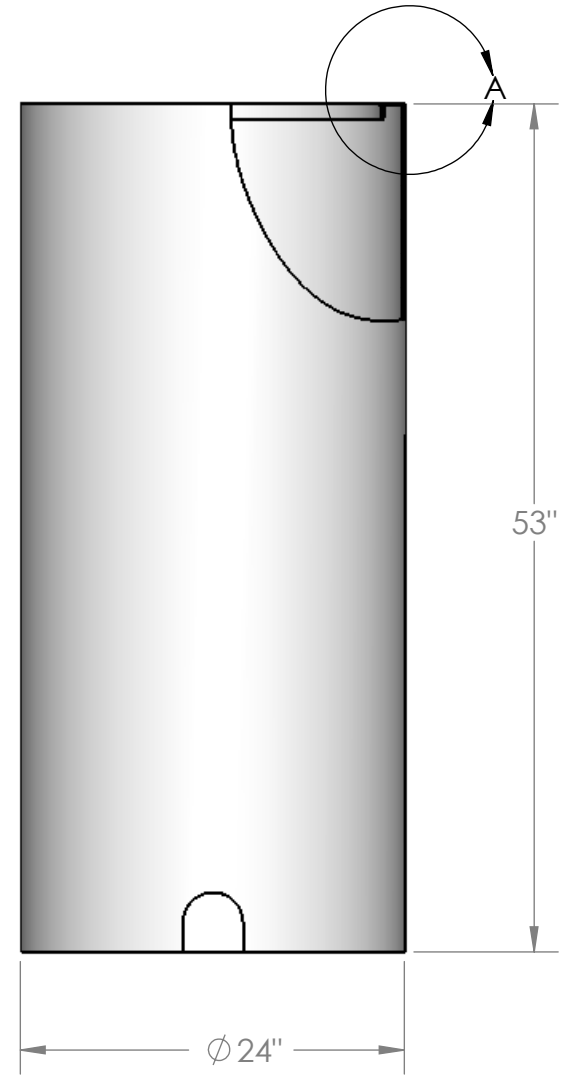
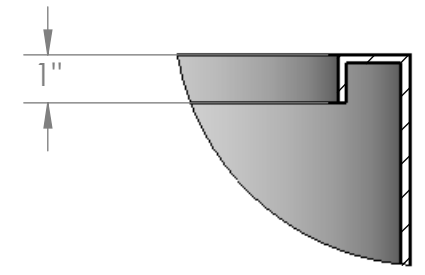
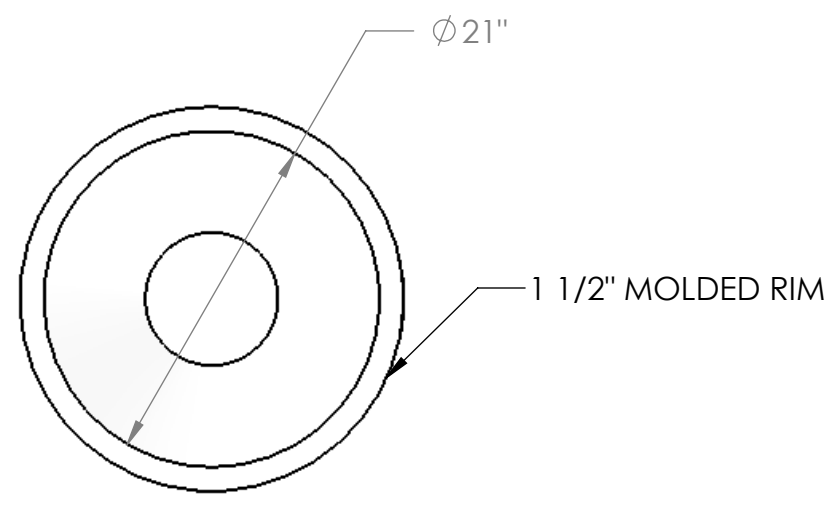


8 7 6 5 4 3 2 1

D
C
B
A

D
C
B
A



NOTES:

1. MATERIAL: HDPE
2. MOLDED WT. 31 LBS.

PROPRIETARY AND CONFIDENTIAL
THE INFORMATION CONTAINED IN THIS DRAWING IS THE SOLE PROPERTY OF <INSERT COMPANY NAME HERE>. ANY REPRODUCTION IN PART OR AS A WHOLE WITHOUT THE WRITTEN PERMISSION OF <INSERT COMPANY NAME HERE> IS PROHIBITED.

| | | | | | | | | | |
|-----------|---------|--------------------------------------|--|----------------------|------|---------------------------|--|---------|--------------|
| | | UNLESS OTHERWISE SPECIFIED: | | NAME | DATE | CUSTOM ROTO-MOLDING, INC. | | | |
| | | DIMENSIONS ARE IN INCHES | | DRAWN | EBW | 9-21-10 | TITLE: 100 GALLON X 24" DIA. OPEN TOP TANK | | |
| | | TOLERANCES: | | CHECKED | | | | | |
| | | FRACTIONAL \pm | | ENG APPR. | | | | | |
| | | ANGULAR: MACH \pm BEND \pm | | MFG APPR. | | | | | |
| | | TWO PLACE DECIMAL \pm | | Q.A. | | | SIZE DWG. NO. REV B 100 - 24 OTT | | |
| | | THREE PLACE DECIMAL \pm | | COMMENTS: | | | | | |
| | | INTERPRET GEOMETRIC TOLERANCING PER: | | | | | SCALE: 1:16 | WEIGHT: | SHEET 1 OF 1 |
| | | MATERIAL | | | | | | | |
| | | FINISH | | | | | | | |
| NEXT ASSY | USED ON | APPLICATION | | DO NOT SCALE DRAWING | | | | | |

8 7 6 5 4 3 2 1