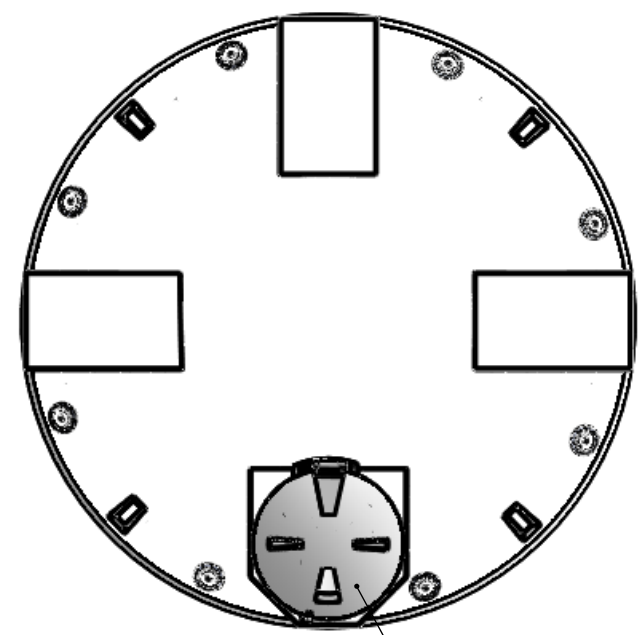
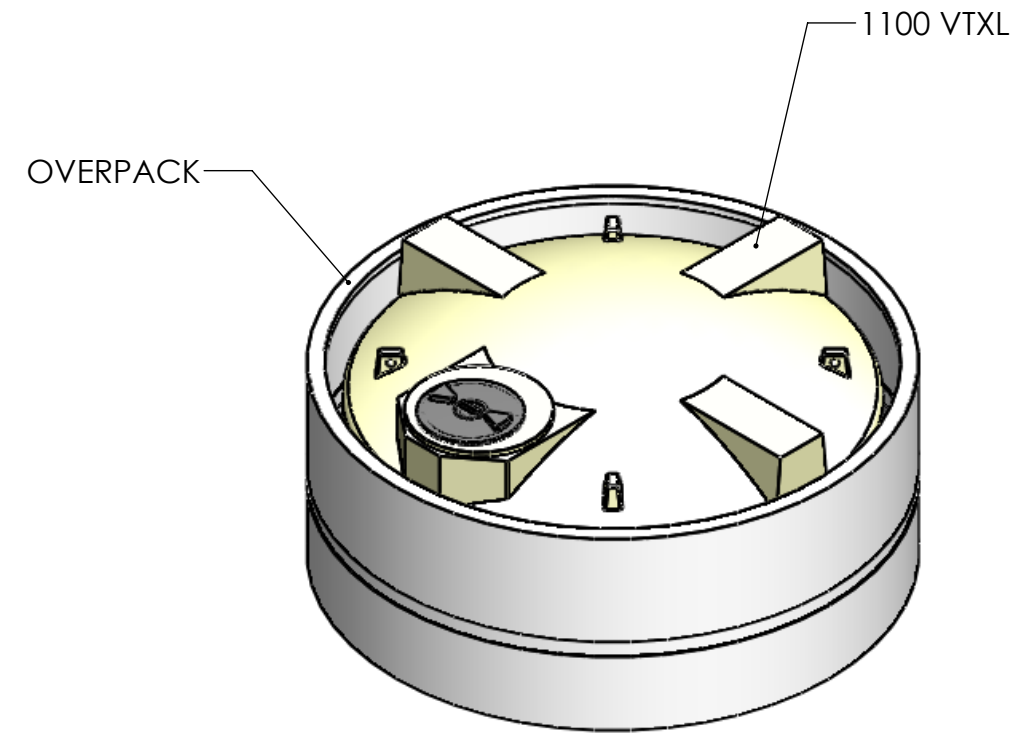


D  
C  
B  
A

D  
C  
B  
A

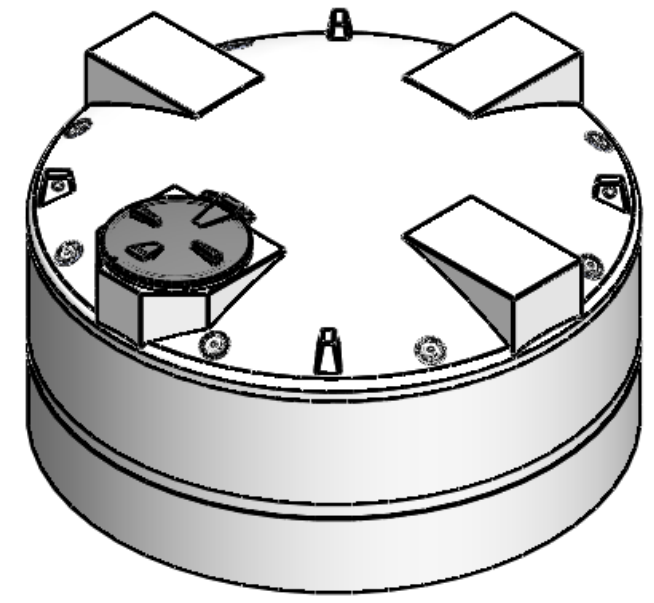


22" NON-VENTED LOCKING LID



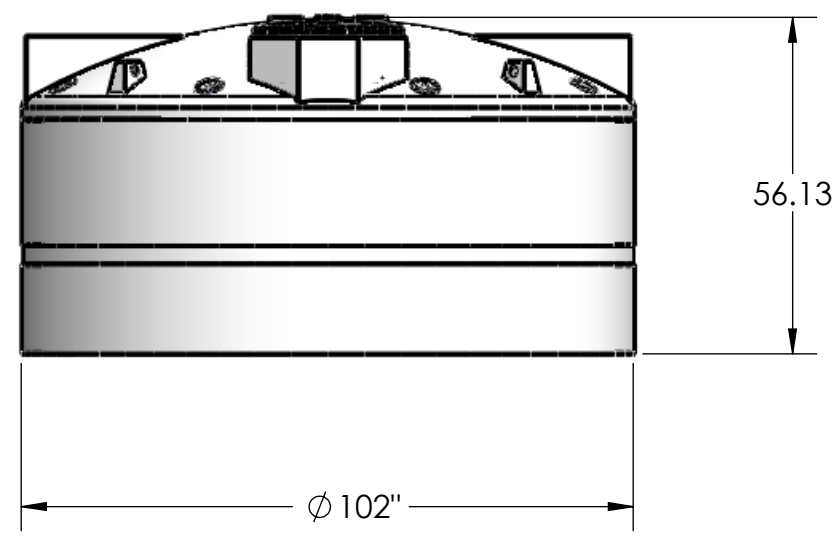
OVERPACK

1100 VTXL



NOTES:

1. PRIMARY TANK CAPACITY: 1100 GALLONS
2. OVERPACK CAPACITY: 1250 GALLONS
3. MATERIAL: TANK - XLPE  
OVERPACK - HDPE
4. SHIPPING WEIGHT: 465 LBS.



∅ 102"

56.13

**PROPRIETARY AND CONFIDENTIAL**  
THE INFORMATION CONTAINED IN THIS DRAWING IS THE SOLE PROPERTY OF <INSERT COMPANY NAME HERE>. ANY REPRODUCTION IN PART OR AS A WHOLE WITHOUT THE WRITTEN PERMISSION OF <INSERT COMPANY NAME HERE> IS PROHIBITED.

		UNLESS OTHERWISE SPECIFIED:		NAME	DATE		
		DIMENSIONS ARE IN INCHES		DRAWN	EBW		12-17-14
		TOLERANCES:		CHECKED			
		FRACTIONAL ±		ENG APPR.			
		ANGULAR: MACH ± BEND ±		MFG APPR.			
		TWO PLACE DECIMAL ±		Q.A.			
		THREE PLACE DECIMAL ±		COMMENTS:			
		INTERPRET GEOMETRIC TOLERANCING PER:		TITLE:			
		MATERIAL		1100 VTXL ENCAPSULATED			
		FINISH		SIZE DWG. NO. REV			
NEXT ASSY	USED ON	APPLICATION		B 1100 VTEXL			
		DO NOT SCALE DRAWING		SCALE: 1:32 WEIGHT: SHEET 1 OF 1			