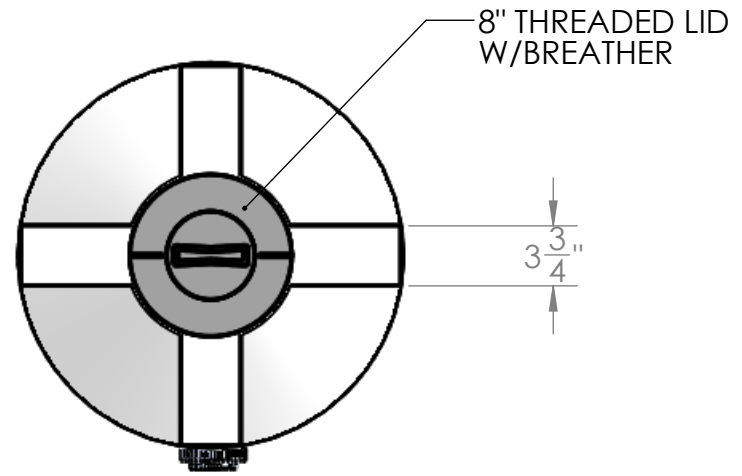
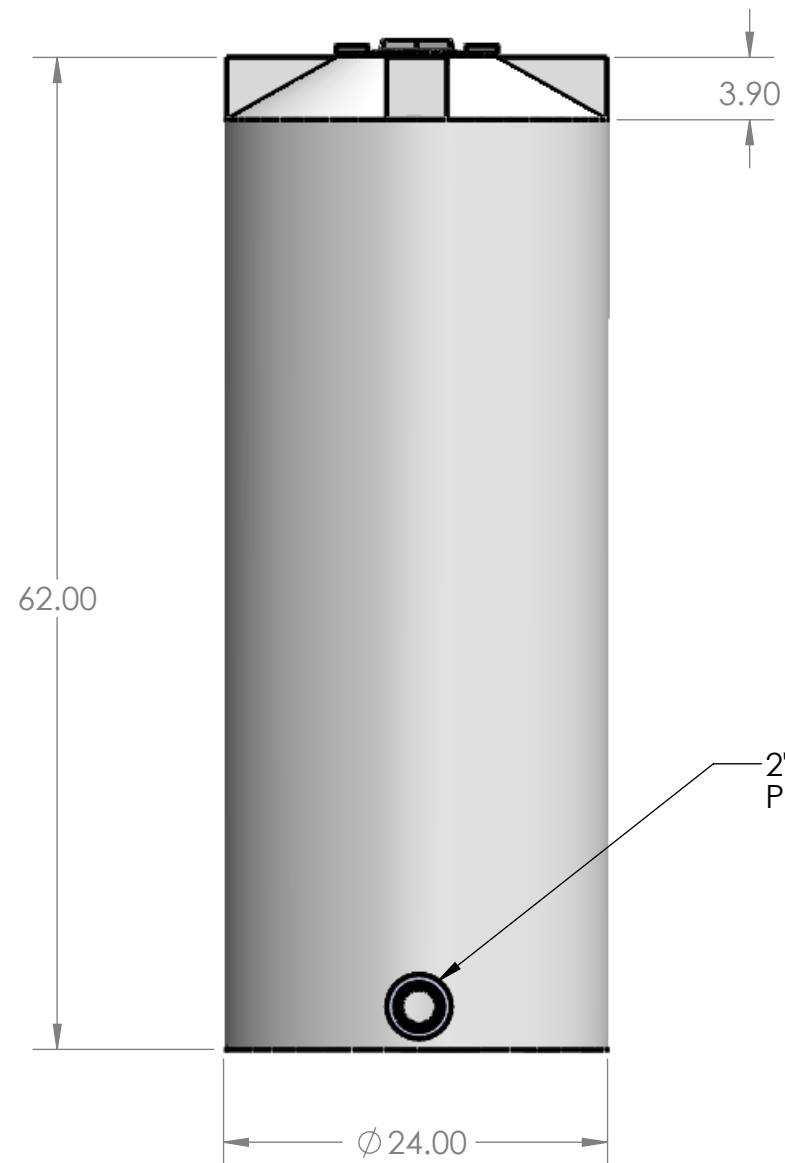
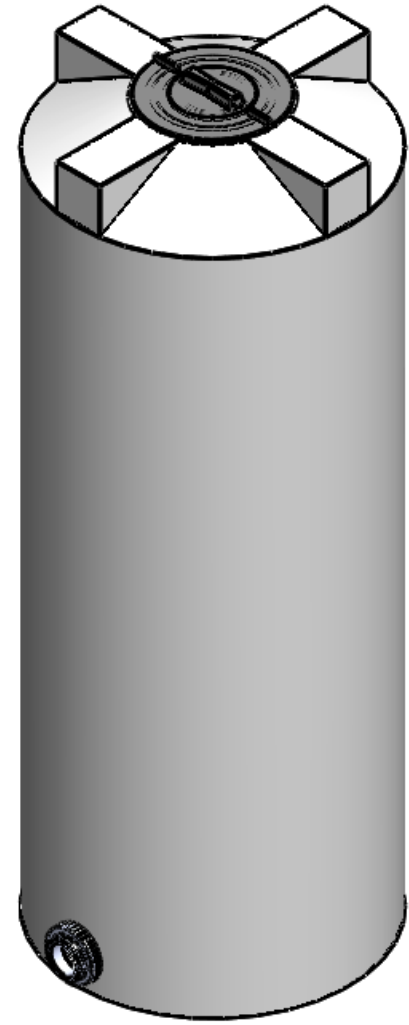


8 7 6 5 4 3 2 1



8" THREADED LID
W/BREATHER

3 3/4"



3.90

62.00

Ø 24.00

2" NPT
POLYPRO FITTING

NOTES:

1. MATERIAL: HDPE
2. WEIGHT: 30 LBS.
3. RATED: 2.0 S.G.

PROPRIETARY AND CONFIDENTIAL
THE INFORMATION CONTAINED IN THIS DRAWING IS THE SOLE PROPERTY OF <INSERT COMPANY NAME HERE>. ANY REPRODUCTION IN PART OR AS A WHOLE WITHOUT THE WRITTEN PERMISSION OF <INSERT COMPANY NAME HERE> IS PROHIBITED.

		UNLESS OTHERWISE SPECIFIED:		NAME	DATE				
		DIMENSIONS ARE IN INCHES TOLERANCES: FRACTIONAL ± ANGULAR: MACH ± BEND ± TWO PLACE DECIMAL ± THREE PLACE DECIMAL ±		DRAWN	EBW		11-5-13		
		INTERPRET GEOMETRIC TOLERANCING PER:		CHECKED		TITLE: 110 GALLON VERTICAL TANK			
		MATERIAL		ENG APPR.					
		FINISH		MFG APPR.					
NEXT ASSY	USED ON			Q.A.		SIZE	DWG. NO.	REV	
APPLICATION		DO NOT SCALE DRAWING		COMMENTS:		B	110 VT		
						SCALE: 1:16		WEIGHT:	SHEET 1 OF 1

8 7 6 5 4 3 2 1