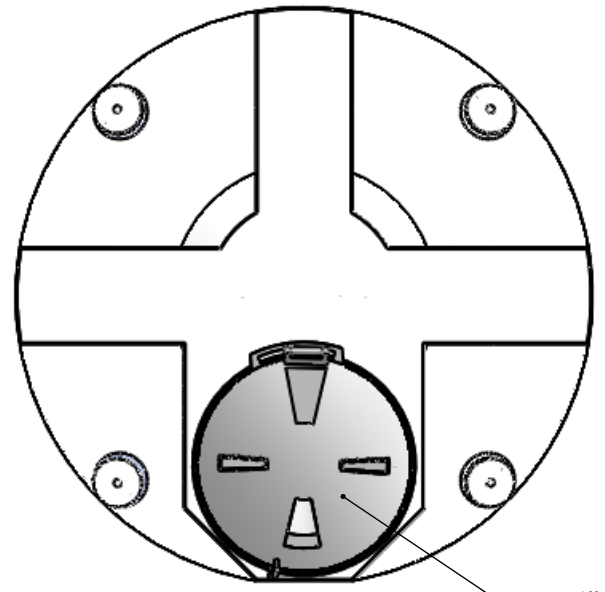


D
C
B
A

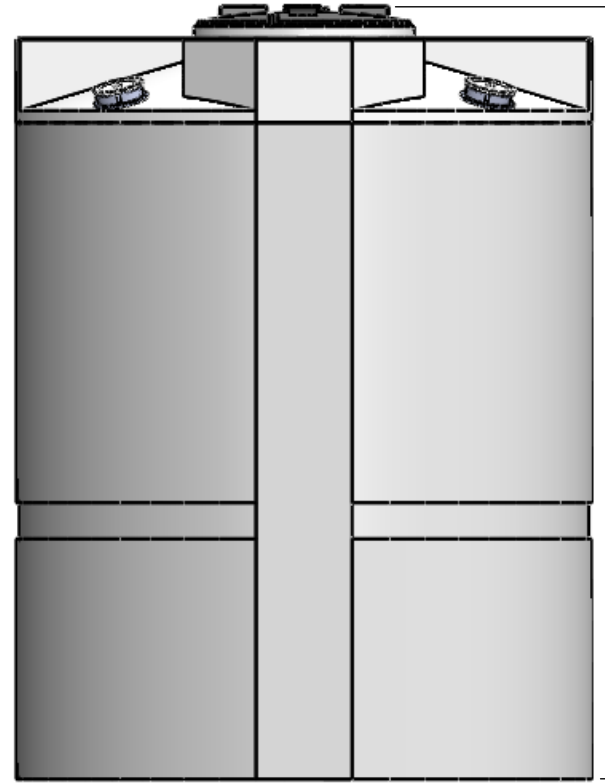
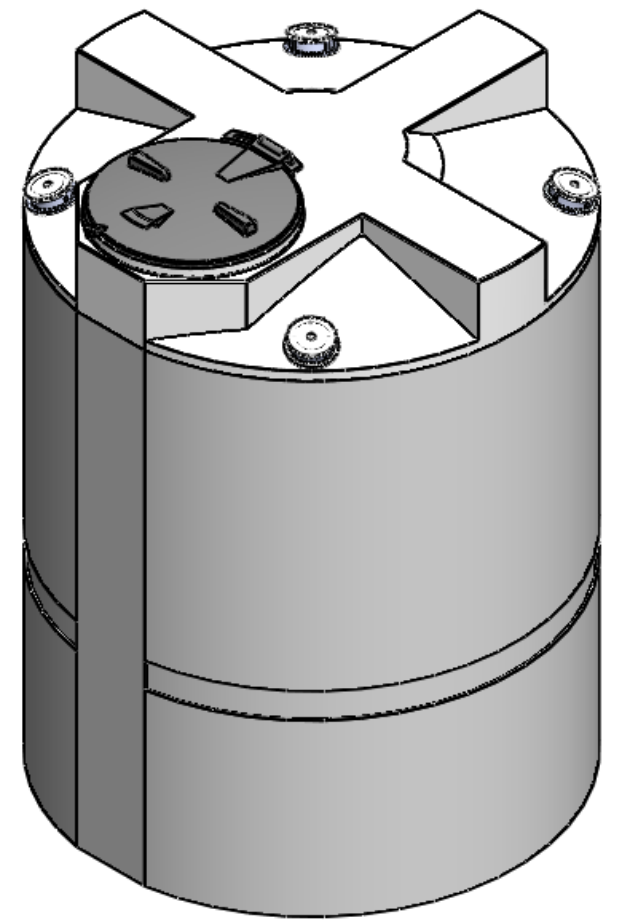
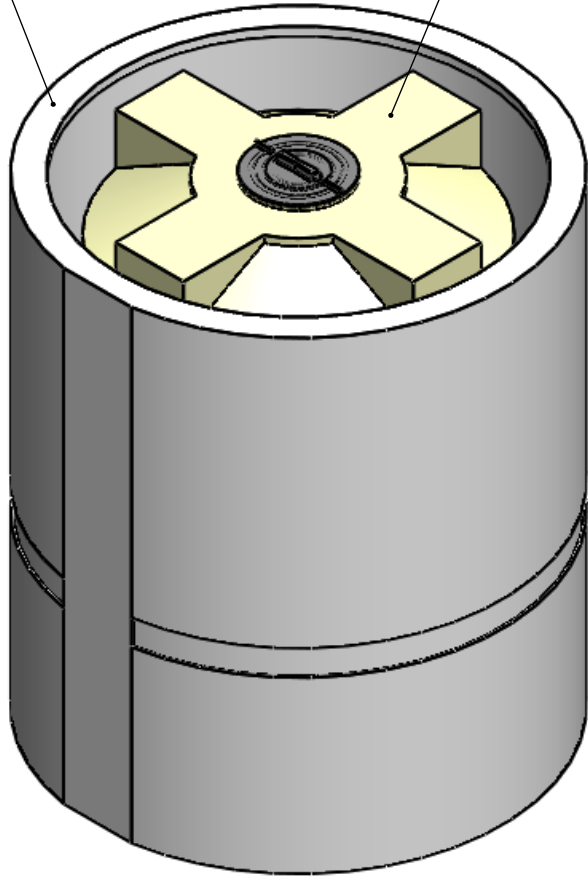
D
C
B
A



16" NON-VENTED LOCKING LID

OVERPACK

220 VTXL



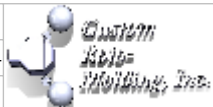
64.32

Ø 48"

NOTES:

- 1. PRIMARY TANK CAPACITY: 220 GALLONS
- 2. OVERPACK CAPACITY: 375 GALLONS
- 3. MATERIAL: TANK- XLPE
OVERPACK- HDPE
- 4. SHIPPING WEIGHT: 130 LBS.

PROPRIETARY AND CONFIDENTIAL
THE INFORMATION CONTAINED IN THIS DRAWING IS THE SOLE PROPERTY OF <INSERT COMPANY NAME HERE>. ANY REPRODUCTION IN PART OR AS A WHOLE WITHOUT THE WRITTEN PERMISSION OF <INSERT COMPANY NAME HERE> IS PROHIBITED.

		UNLESS OTHERWISE SPECIFIED:	NAME	DATE	 <p>TITLE: 220 VTEXTL ENCAPSULATED</p> <p>SIZE DWG. NO. REV B 220 VTEXTL</p> <p>SCALE: 1:24 WEIGHT: SHEET 1 OF 1</p>	
		DIMENSIONS ARE IN INCHES TOLERANCES: FRACTIONAL ± ANGULAR: MACH ± BEND ± TWO PLACE DECIMAL ± THREE PLACE DECIMAL ±	DRAWN	EBW		12-17-14
		INTERPRET GEOMETRIC TOLERANCING PER:	CHECKED			
		MATERIAL	ENG APPR.			
		FINISH	MFG APPR.			
NEXT ASSY	USED ON		Q.A.			
APPLICATION		DO NOT SCALE DRAWING	COMMENTS:			