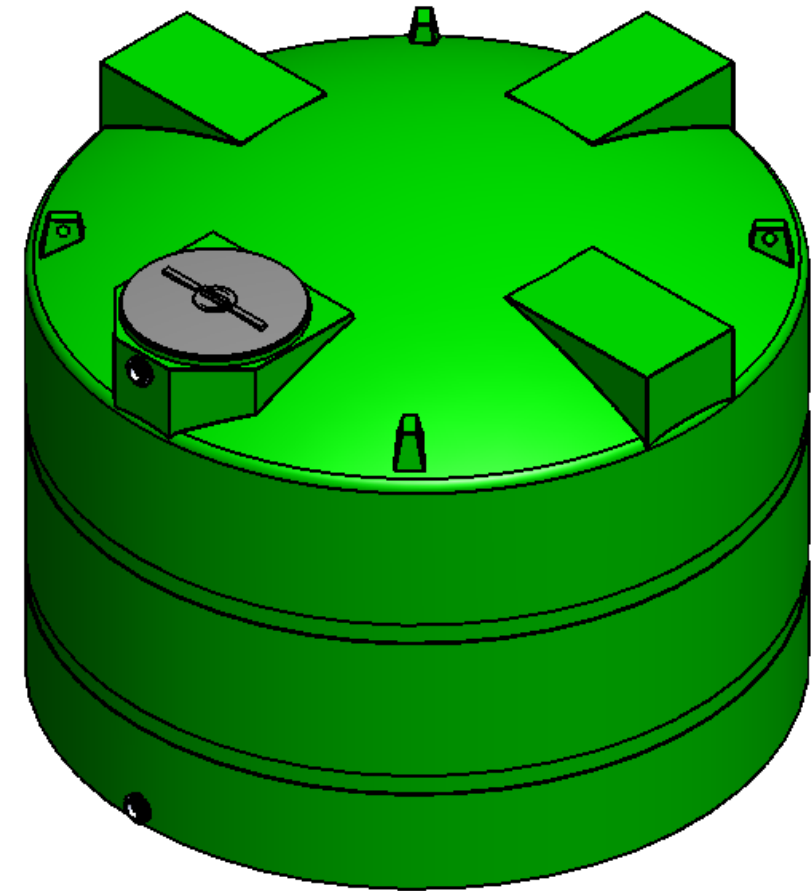


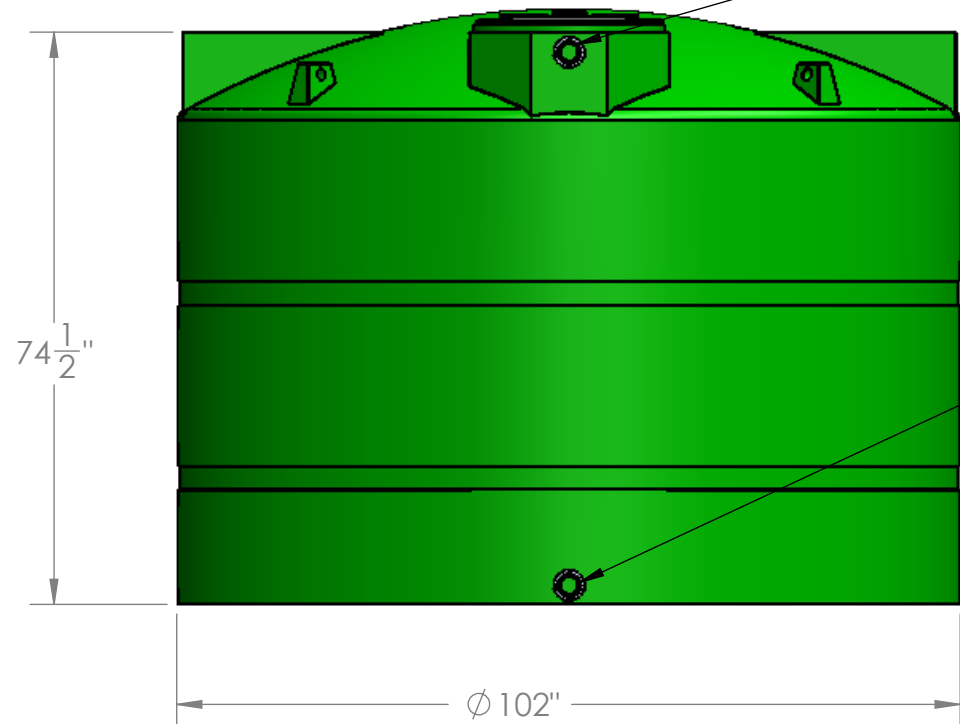
24" THREADED LID  
W/BREATHER

2" NPT  
POLYPRO FITTING



NOTES:

1. MATERIAL: HDPE
2. COLOR: DARK GREEN
3. WEIGHT: 325 LBS.



2" NPT  
POLYPRO FITTING

**PROPRIETARY AND CONFIDENTIAL**  
THE INFORMATION CONTAINED IN THIS DRAWING IS THE SOLE PROPERTY OF <INSERT COMPANY NAME HERE>. ANY REPRODUCTION IN PART OR AS A WHOLE WITHOUT THE WRITTEN PERMISSION OF <INSERT COMPANY NAME HERE> IS PROHIBITED.

		UNLESS OTHERWISE SPECIFIED:		NAME	DATE	CUSTOM ROTO-MOLDING, INC.
		DIMENSIONS ARE IN INCHES TOLERANCES: FRACTIONAL ± ANGULAR: MACH ±    BEND ± TWO PLACE DECIMAL ± THREE PLACE DECIMAL ±		DRAWN	12-02-11	
		INTERPRET GEOMETRIC TOLERANCING PER:		CHECKED		TITLE:
		MATERIAL		ENG APPR.		2400 GALLON VERTICAL TANK, FRESH WATER GREEN
		FINISH		MFG APPR.		SIZE
NEXT ASSY	USED ON	DO NOT SCALE DRAWING		Q.A.		DWG. NO.
APPLICATION				COMMENTS:		2400 VT FWG
						REV
						SCALE: 1:50
						WEIGHT:
						SHEET 1 OF 1