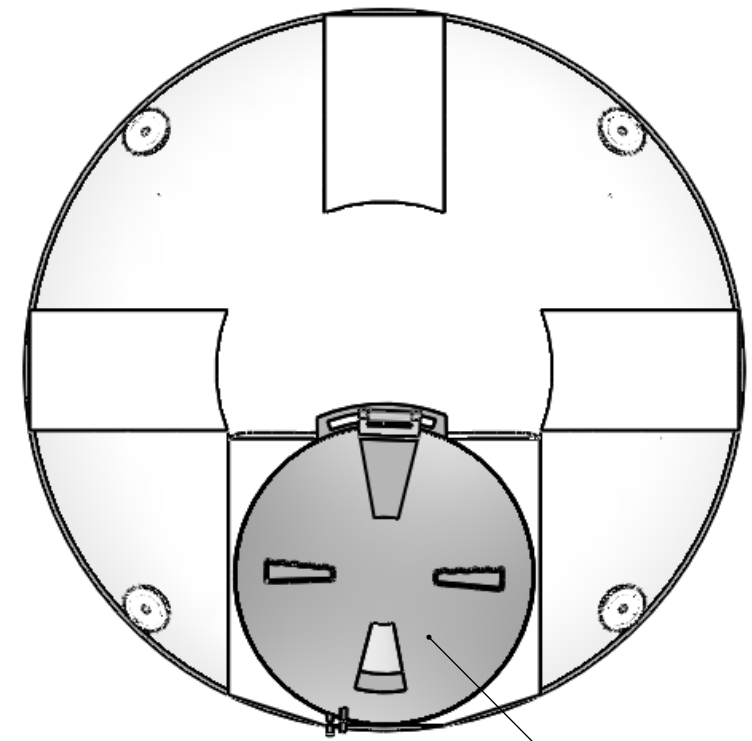
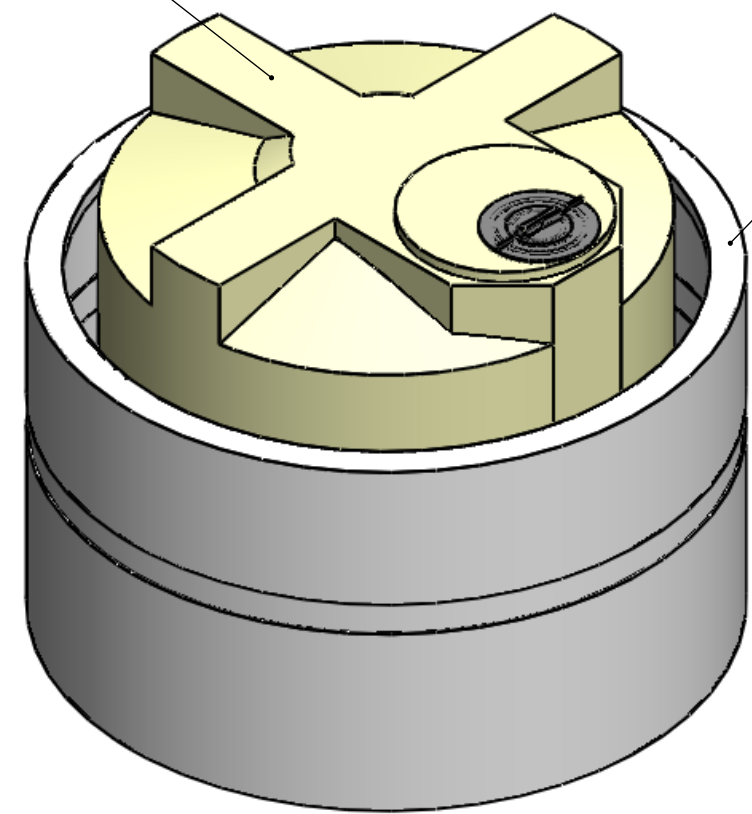


D
C
B
A

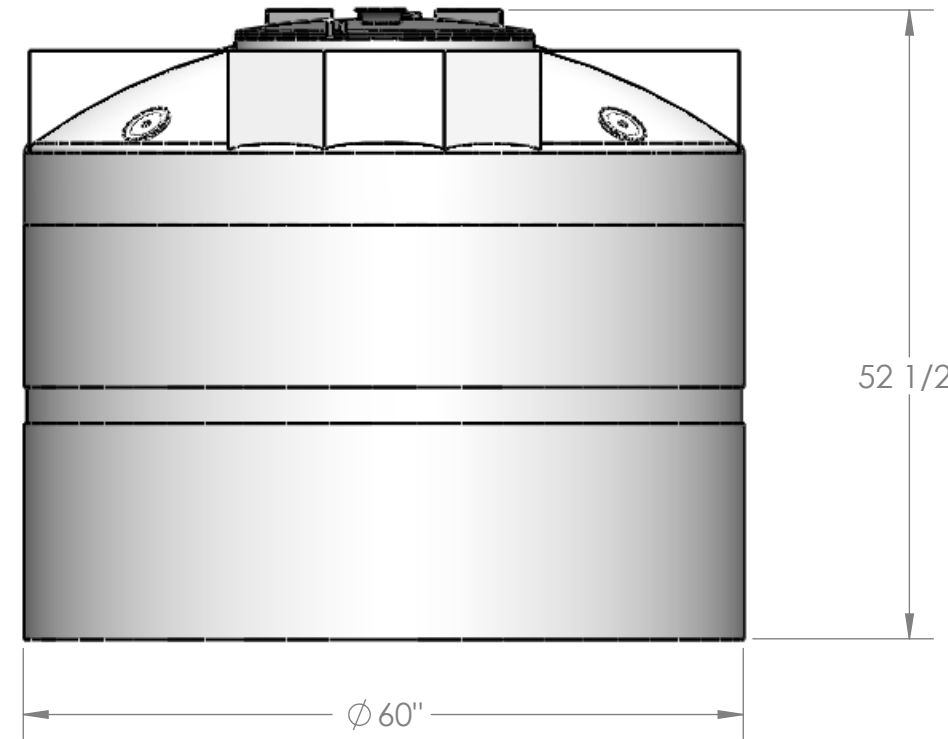
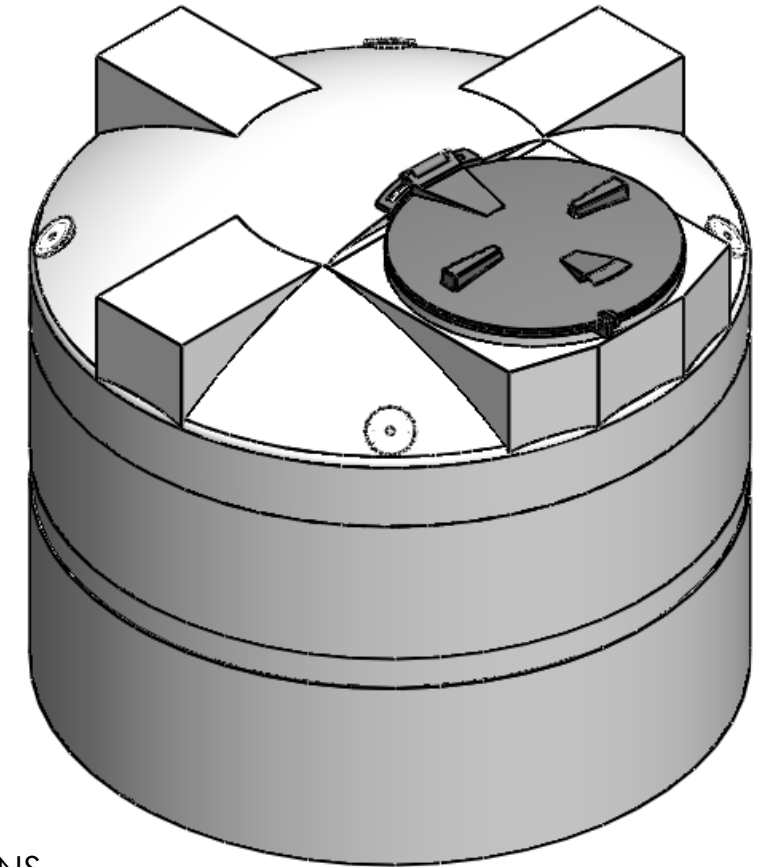


24" NON-VENTED LOCKING LID

330 VT XLPE



OVERPACK



NOTES:

1. PRIMARY TANK CAPACITY: 330 GALLONS
2. OVERPACK CAPACITY: 400 GALLONS
3. MATERIAL: TANK: NAT. XLPE
OVERPACK: HDPE
4. SHIPPING WEIGHT: 165 LBS.

PROPRIETARY AND CONFIDENTIAL
THE INFORMATION CONTAINED IN THIS DRAWING IS THE SOLE PROPERTY OF <INSERT COMPANY NAME HERE>. ANY REPRODUCTION IN PART OR AS A WHOLE WITHOUT THE WRITTEN PERMISSION OF <INSERT COMPANY NAME HERE> IS PROHIBITED.

		UNLESS OTHERWISE SPECIFIED:		NAME	DATE	CUSTOM ROTO-MOLDING, INC.
		DIMENSIONS ARE IN INCHES TOLERANCES: FRACTIONAL ± ANGULAR: MACH ± BEND ± TWO PLACE DECIMAL ± THREE PLACE DECIMAL ±		DRAWN	1-23-12	
		INTERPRET GEOMETRIC TOLERANCING PER:		CHECKED		TITLE:
		MATERIAL		ENG APPR.		330 VT XL ENCAPSULATED
		FINISH		MFG APPR.		SIZE
NEXT ASSY	USED ON			Q.A.		DWG. NO.
APPLICATION		DO NOT SCALE DRAWING		COMMENTS:		REV
						B 330 VTEXTL
						SCALE: 1:24 WEIGHT:
						SHEET 1 OF 1