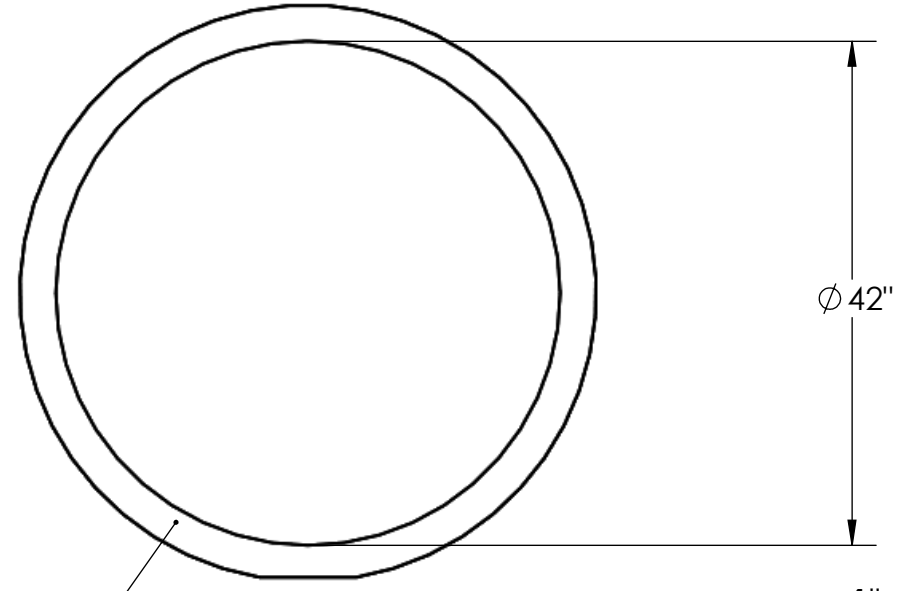


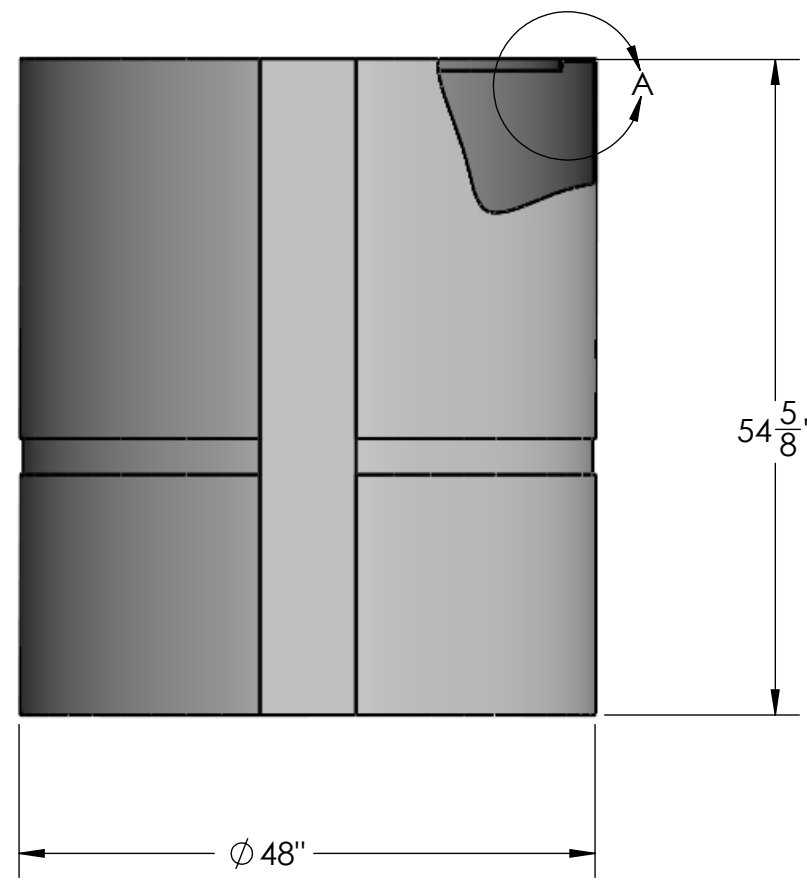
D  
C  
B  
A

D  
C  
B  
A



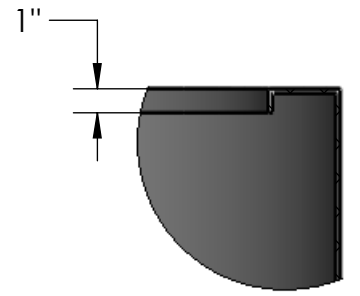
3" MOLDED RIB

Ø 42"



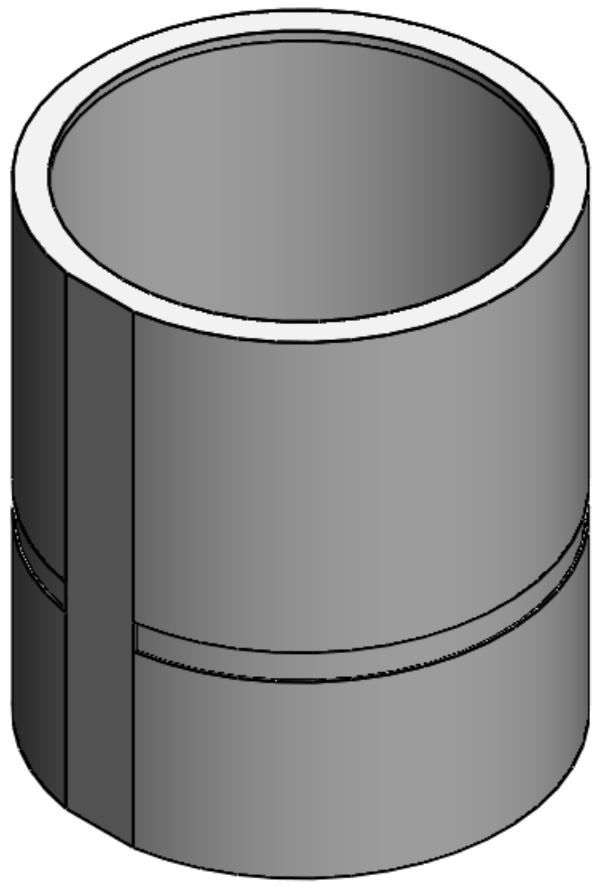
54 <sup>5</sup>/<sub>8</sub>"

Ø 48"



1"

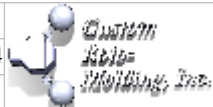
DETAIL A  
SCALE 1 : 8



NOTES:

1. MATERIAL: HDPE
2. MOLDED WT. 75 LBS.

**PROPRIETARY AND CONFIDENTIAL**  
THE INFORMATION CONTAINED IN THIS DRAWING IS THE SOLE PROPERTY OF <INSERT COMPANY NAME HERE>. ANY REPRODUCTION IN PART OR AS A WHOLE WITHOUT THE WRITTEN PERMISSION OF <INSERT COMPANY NAME HERE> IS PROHIBITED.

		UNLESS OTHERWISE SPECIFIED:		NAME	DATE		
		DIMENSIONS ARE IN INCHES		DRAWN	EBW		12-17-14
		TOLERANCES:		CHECKED			
		FRACTIONAL ±		ENG APPR.			
		ANGULAR: MACH ± BEND ±		MFG APPR.			
		TWO PLACE DECIMAL ±		Q.A.			
		THREE PLACE DECIMAL ±		COMMENTS:			
		INTERPRET GEOMETRIC TOLERANCING PER:					
		MATERIAL					
		FINISH					
NEXT ASSY	USED ON	APPLICATION		DO NOT SCALE DRAWING			
				TITLE:		375 GALLON OPEN TOP TANK	
SIZE	DWG. NO.	REV					
<b>B</b>	<b>375 OTT</b>						
SCALE: 1:24		WEIGHT:		SHEET 1 OF 1			