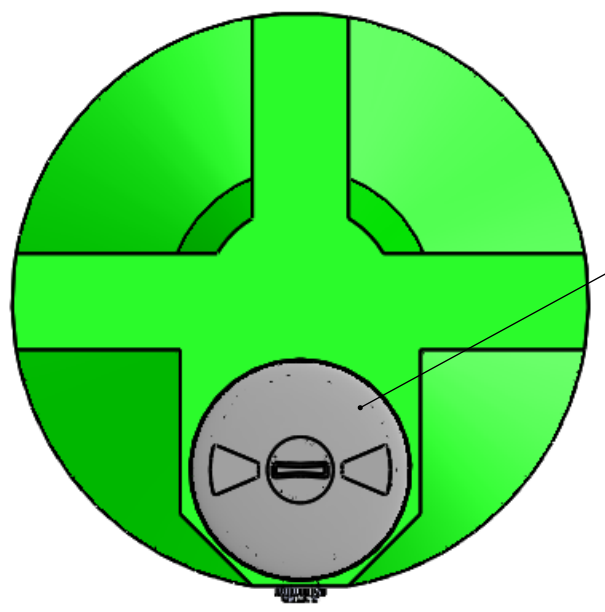
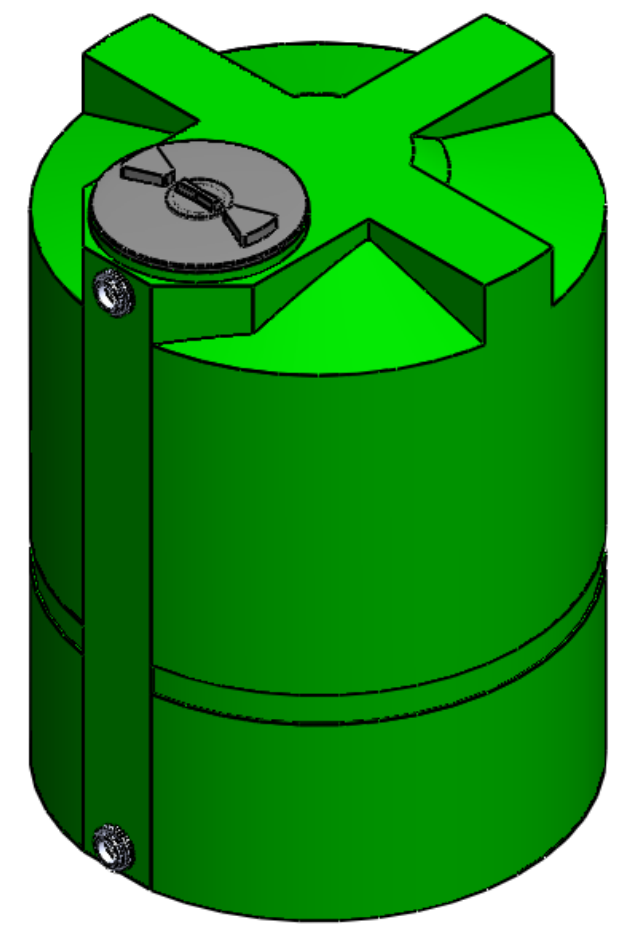


D  
C  
B  
A

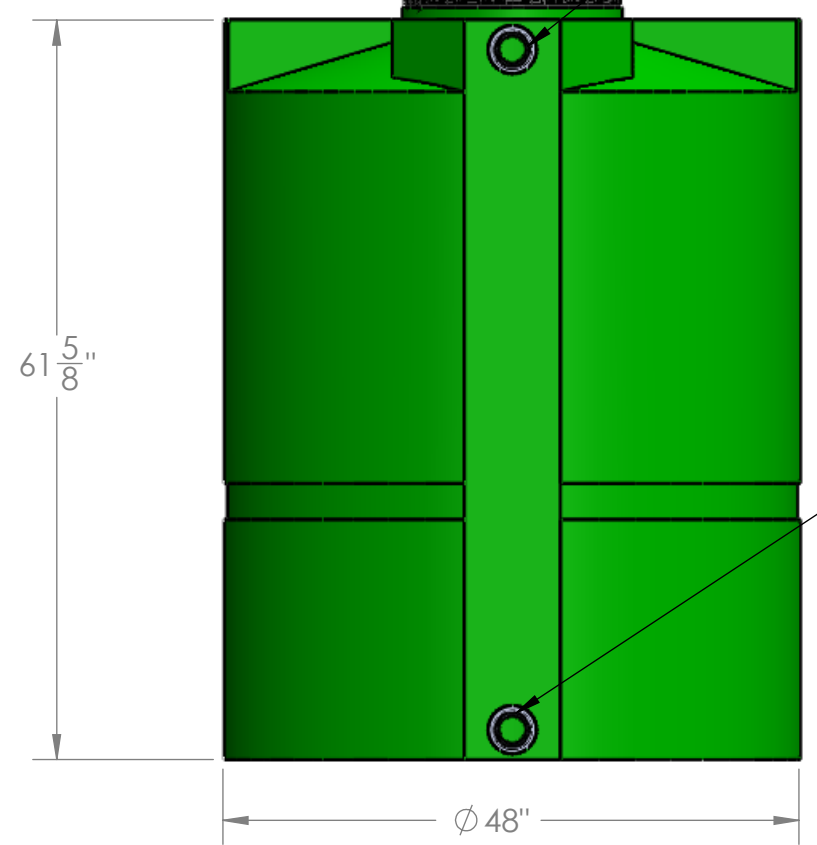
D  
C  
B  
A



16" THREADED LID  
W/BREATHER



2" NPT  
POLYPRO FITTING



61 <sup>5</sup>/<sub>8</sub>"

Ø 48"

2" NPT  
POLYPRO FITTING

NOTES:

1. MATERIAL: HDPE
2. COLOR: DARK GREEN
3. WEIGHT: 80 LBS.

**PROPRIETARY AND CONFIDENTIAL**  
THE INFORMATION CONTAINED IN THIS DRAWING IS THE SOLE PROPERTY OF <INSERT COMPANY NAME HERE>. ANY REPRODUCTION IN PART OR AS A WHOLE WITHOUT THE WRITTEN PERMISSION OF <INSERT COMPANY NAME HERE> IS PROHIBITED.

		UNLESS OTHERWISE SPECIFIED:		NAME	DATE	CUSTOM ROTO-MOLDING, INC.
		DIMENSIONS ARE IN INCHES TOLERANCES: FRACTIONAL ± ANGULAR: MACH ± BEND ± TWO PLACE DECIMAL ± THREE PLACE DECIMAL ±		DRAWN	11-18-11	
		INTERPRET GEOMETRIC TOLERANCING PER:		CHECKED		TITLE: <b>450 GALLON VERTICAL TANK, FRESH WATER GREEN</b>
		MATERIAL		ENG APPR.		
NEXT ASSY		USED ON		MFG APPR.		SIZE DWG. NO. REV
APPLICATION		DO NOT SCALE DRAWING		Q.A.		<b>B 450 VT FWG</b>
				COMMENTS:		SCALE: 1:24 WEIGHT: SHEET 1 OF 1