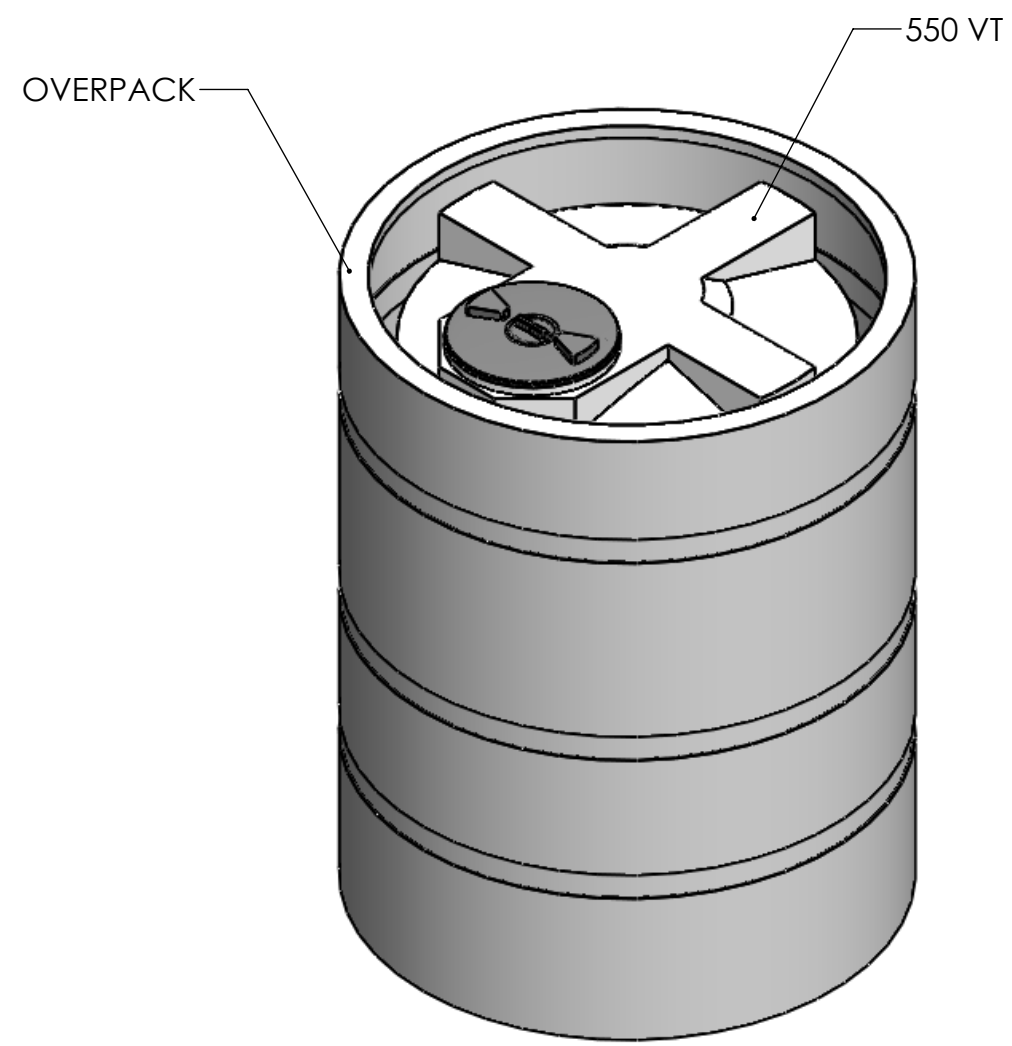
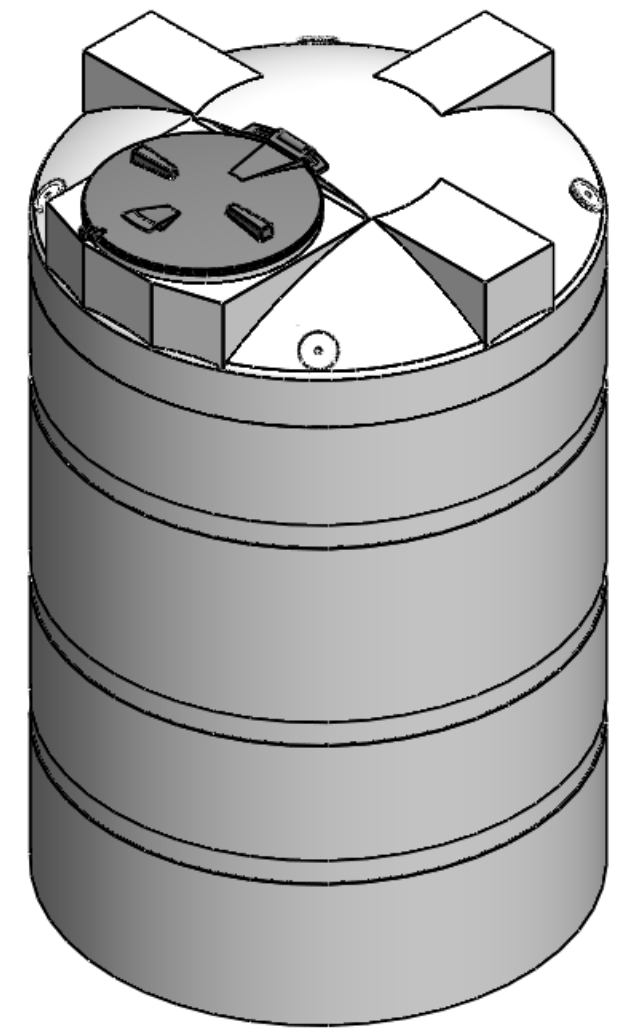


22" NON-VENTED LOCKING LID



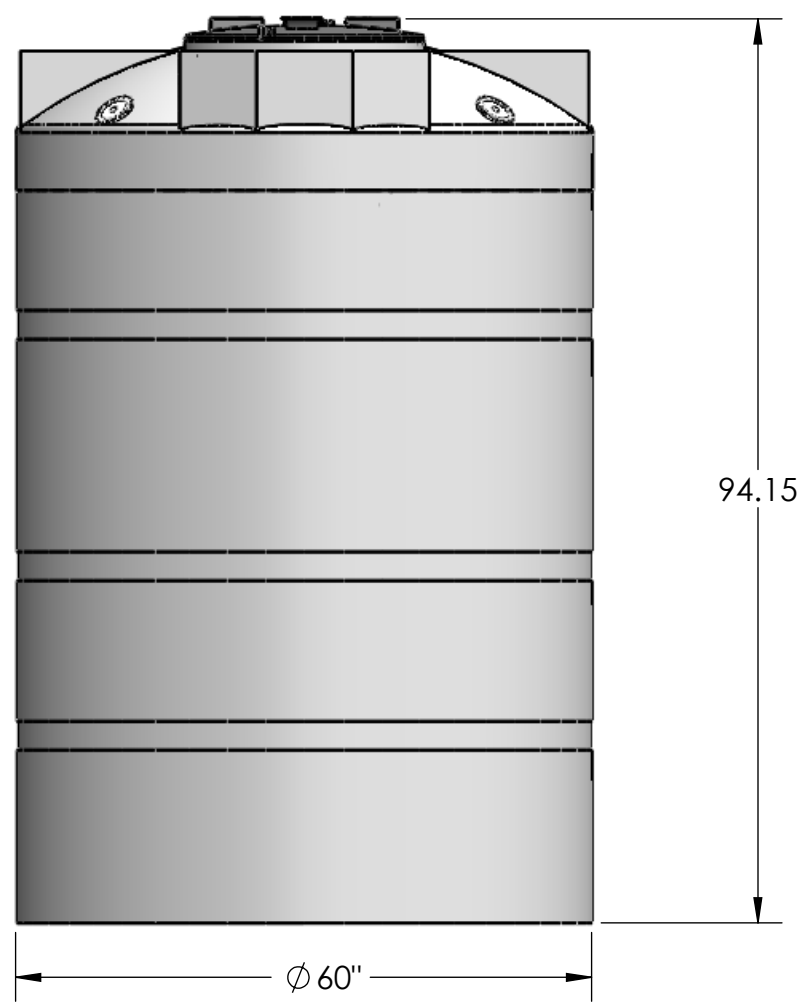
OVERPACK

550 VT



D  
C  
B  
A

D  
C  
B  
A



94.15

Ø 60"

NOTES:

1. PRIMARY TANK CAPACITY: 550 GALLONS
2. OVERPACK CAPACITY: 925 GALLONS
3. MATERIAL: TANK - HDPE  
OVERPACK - HDPE
4. SHIPPING WEIGHT: 280 LBS.

**PROPRIETARY AND CONFIDENTIAL**  
THE INFORMATION CONTAINED IN THIS DRAWING IS THE SOLE PROPERTY OF <INSERT COMPANY NAME HERE>. ANY REPRODUCTION IN PART OR AS A WHOLE WITHOUT THE WRITTEN PERMISSION OF <INSERT COMPANY NAME HERE> IS PROHIBITED.

		UNLESS OTHERWISE SPECIFIED:		NAME	DATE
		DIMENSIONS ARE IN INCHES TOLERANCES: FRACTIONAL ± ANGULAR: MACH ± BEND ± TWO PLACE DECIMAL ± THREE PLACE DECIMAL ±		DRAWN	EBW 12-17-14
		INTERPRET GEOMETRIC TOLERANCING PER:		CHECKED	
		MATERIAL		ENG APPR.	
		FINISH		MFG APPR.	
NEXT ASSY	USED ON			Q.A.	
APPLICATION		DO NOT SCALE DRAWING		COMMENTS:	

TITLE:		
550 VT ENCAPSULATED		
SIZE	DWG. NO.	REV
<b>B</b>	550 VTE	
SCALE: 1:32 WEIGHT:		SHEET 1 OF 1