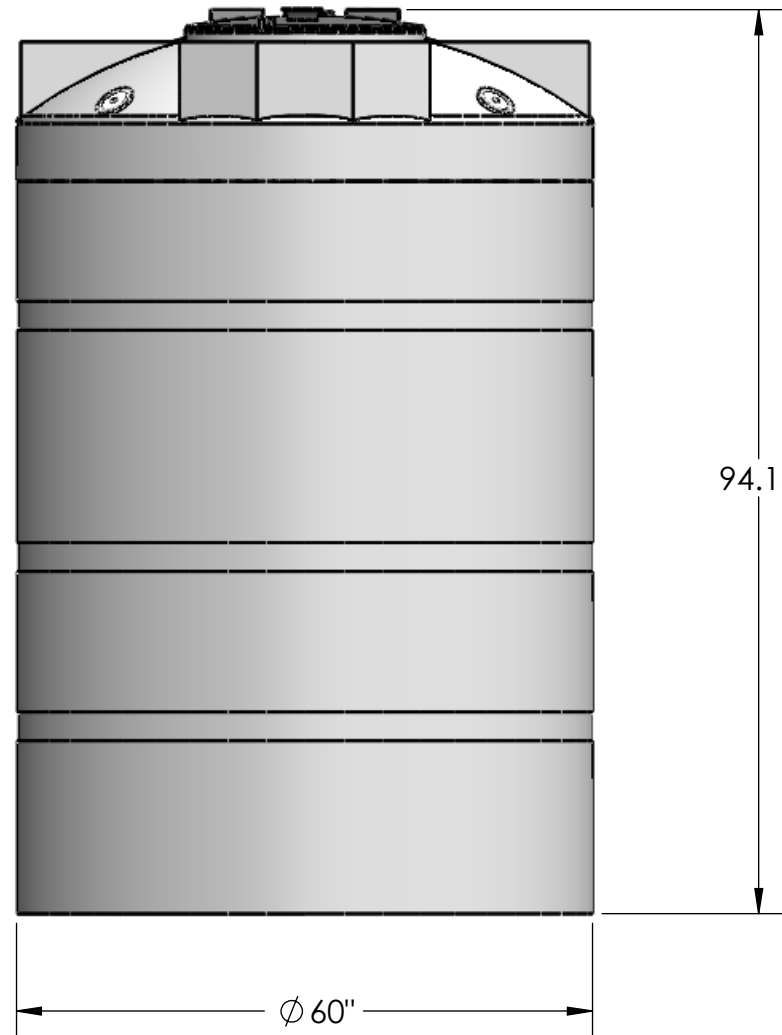
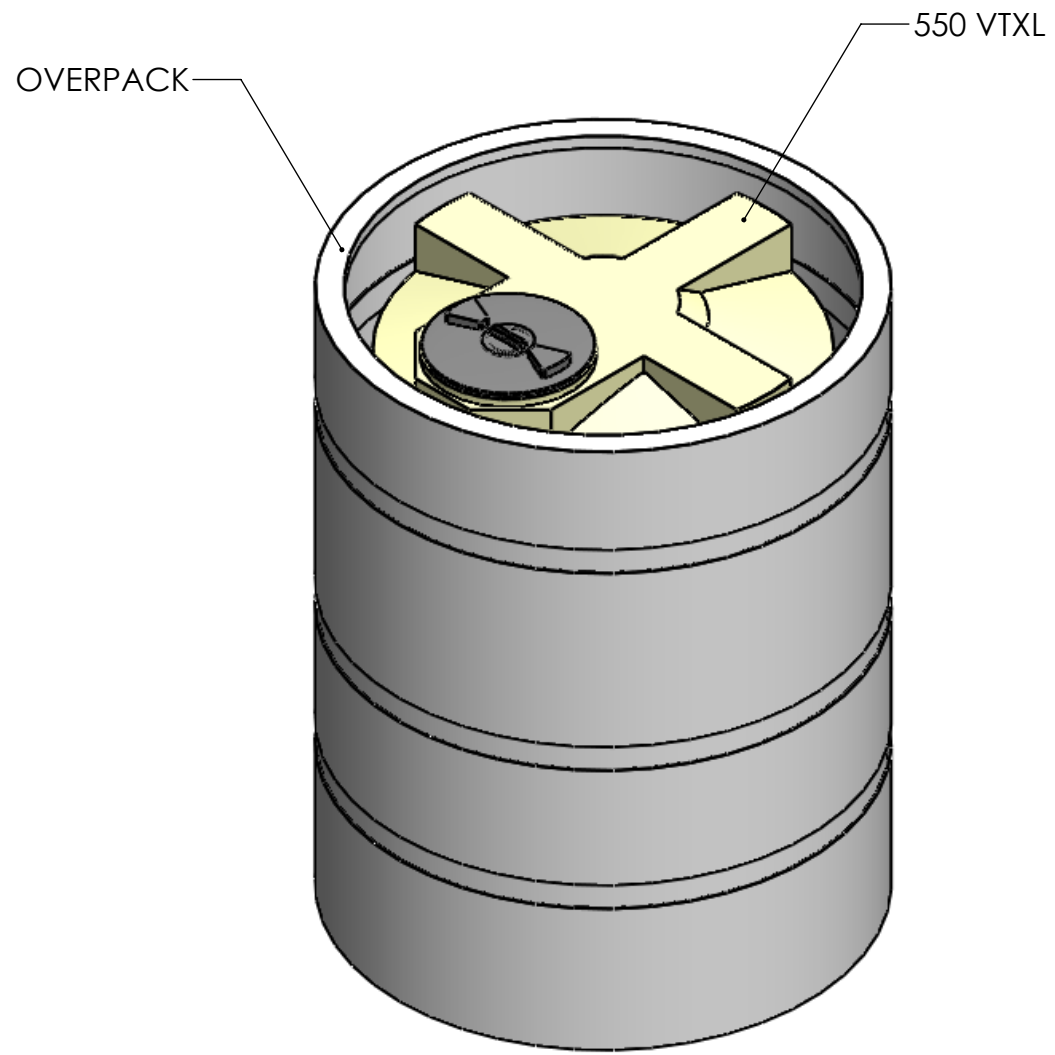


22" NON-VENTED LOCKING LID



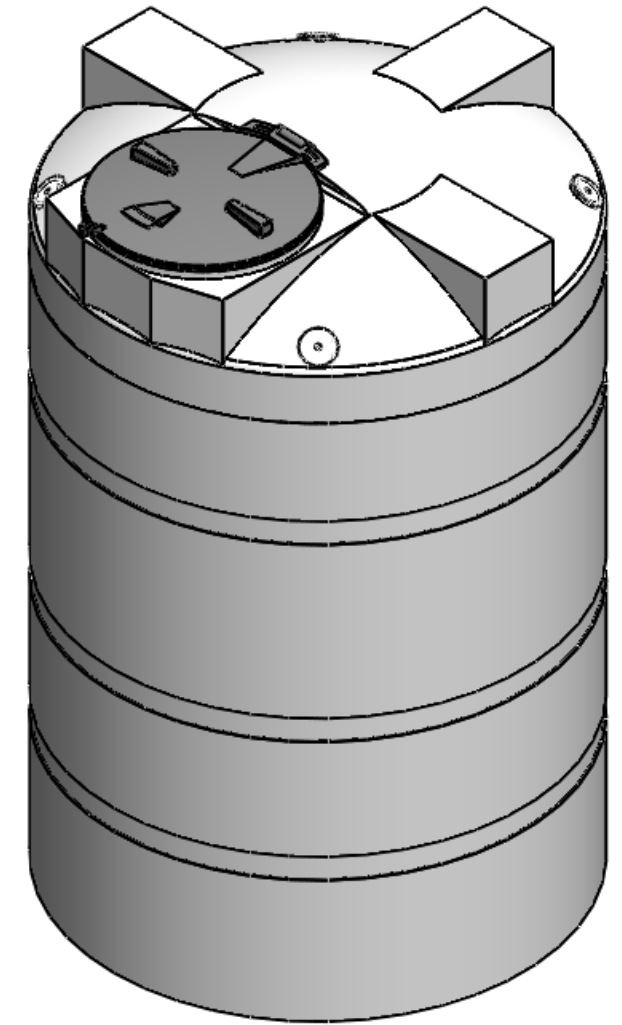
94.15

Ø 60"



550 VTXL

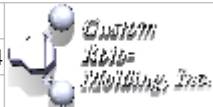
OVERPACK



NOTES:

1. PRIMARY TANK CAPACITY: 550 GALLONS
2. OVERPACK CAPACITY: 925 GALLONS
3. MATERIAL: TANK - XLPE
OVERPACK - HDPE
4. SHIPPING WEIGHT: 280 LBS.

PROPRIETARY AND CONFIDENTIAL
THE INFORMATION CONTAINED IN THIS DRAWING IS THE SOLE PROPERTY OF <INSERT COMPANY NAME HERE>. ANY REPRODUCTION IN PART OR AS A WHOLE WITHOUT THE WRITTEN PERMISSION OF <INSERT COMPANY NAME HERE> IS PROHIBITED.

		UNLESS OTHERWISE SPECIFIED:		NAME	DATE
		DIMENSIONS ARE IN INCHES		DRAWN	EBW 12-17-14
		TOLERANCES:		CHECKED	
		FRACTIONAL ±		ENG APPR.	
		ANGULAR: MACH ± BEND ±		MFG APPR.	
		TWO PLACE DECIMAL ±		Q.A.	
		THREE PLACE DECIMAL ±		COMMENTS:	
		INTERPRET GEOMETRIC TOLERANCING PER:		 <p>TITLE: 550 VTXL ENCAPSULATED</p>	
		MATERIAL			
NEXT ASSY	USED ON	FINISH		SIZE	DWG. NO.
APPLICATION		DO NOT SCALE DRAWING		B	550 VTEXTL
				SCALE: 1:32	WEIGHT:
				SHEET 1 OF 1	