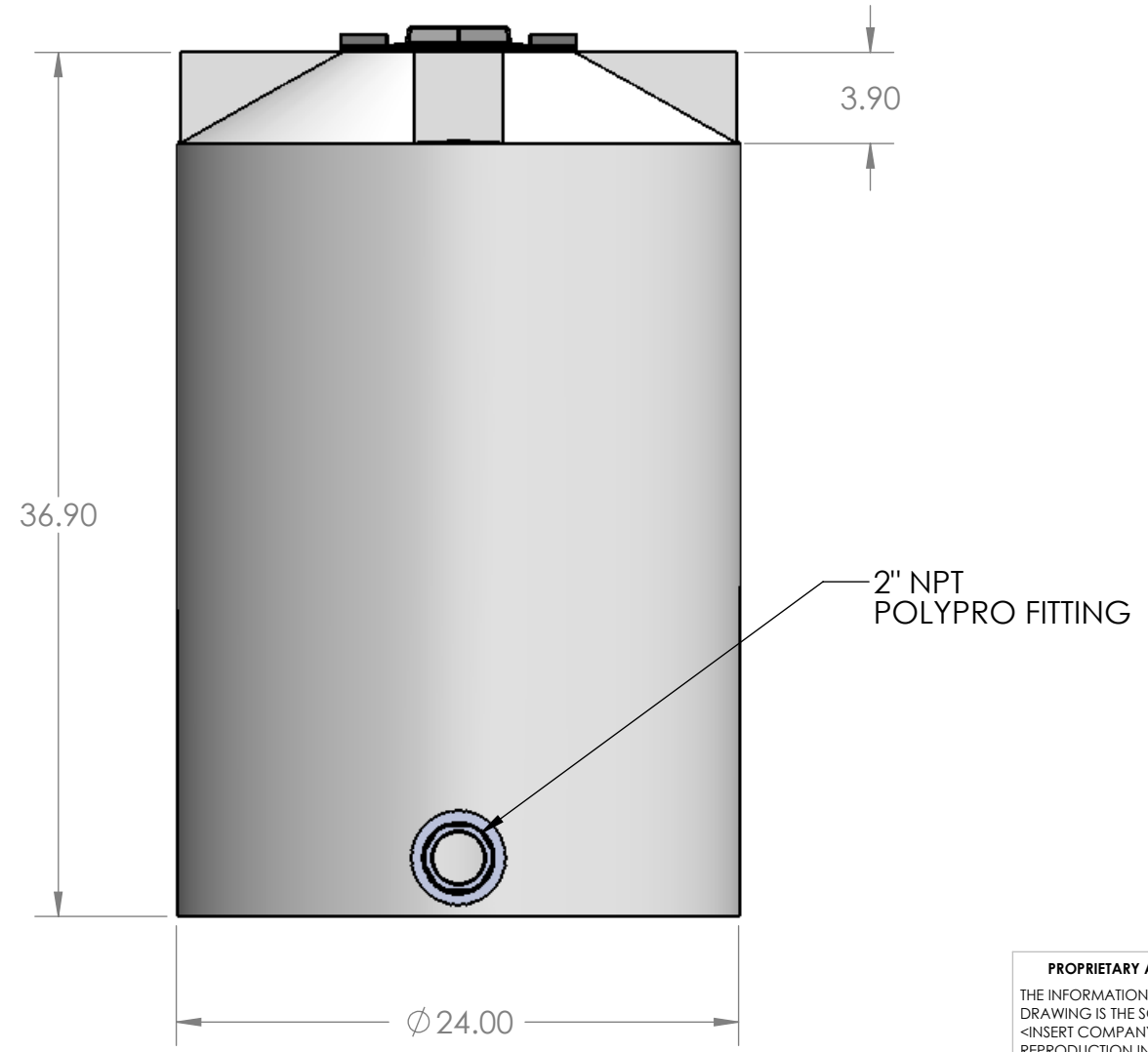
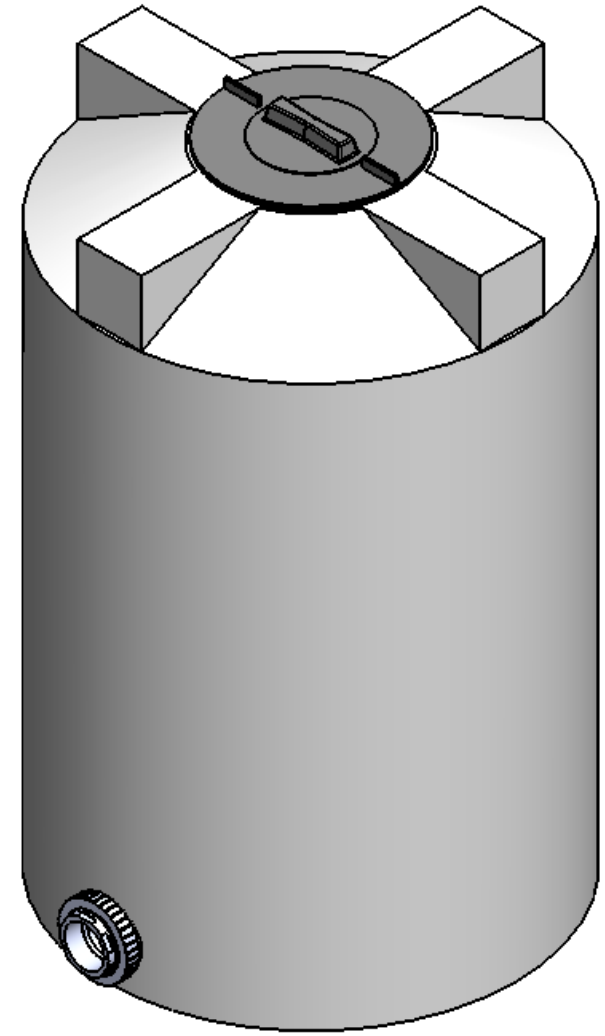
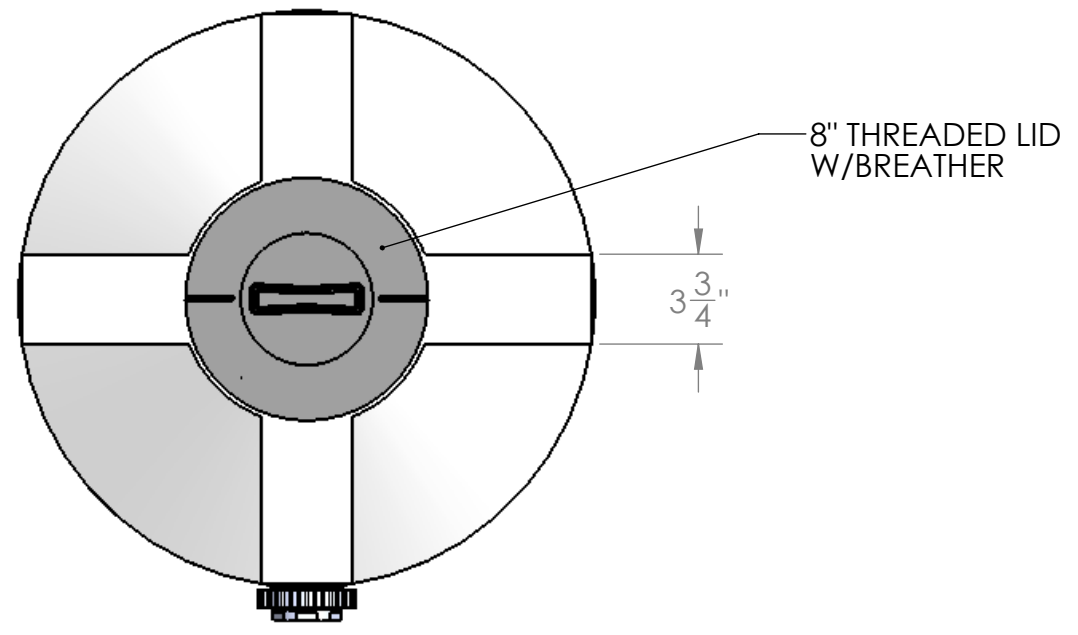


8 7 6 5 4 3 2 1

D
C
B
A

D
C
B
A



- NOTES:
1. MATERIAL: HDPE
 2. WEIGHT: 20 LBS
 3. RATED: 2.0 S.G.

PROPRIETARY AND CONFIDENTIAL
 THE INFORMATION CONTAINED IN THIS DRAWING IS THE SOLE PROPERTY OF <INSERT COMPANY NAME HERE>. ANY REPRODUCTION IN PART OR AS A WHOLE WITHOUT THE WRITTEN PERMISSION OF <INSERT COMPANY NAME HERE> IS PROHIBITED.

		UNLESS OTHERWISE SPECIFIED:	NAME	DATE	CUSTOM ROTO-MOLDING, INC.
		DIMENSIONS ARE IN INCHES TOLERANCES: FRACTIONAL ± ANGULAR: MACH ± BEND ± TWO PLACE DECIMAL ± THREE PLACE DECIMAL ±	DRAWN	3-3-09	
		INTERPRET GEOMETRIC TOLERANCING PER:	CHECKED		TITLE: 65 GALLON VERTICAL TANK
		MATERIAL	ENG APPR.		
NEXT ASSY	USED ON	FINISH	MFG APPR.		SIZE B DWG. NO. 65 VT REV
APPLICATION		DO NOT SCALE DRAWING	Q.A.		SCALE: 1:20 WEIGHT: SHEET 1 OF 1
			COMMENTS:		

8 7 6 5 4 3 2 1