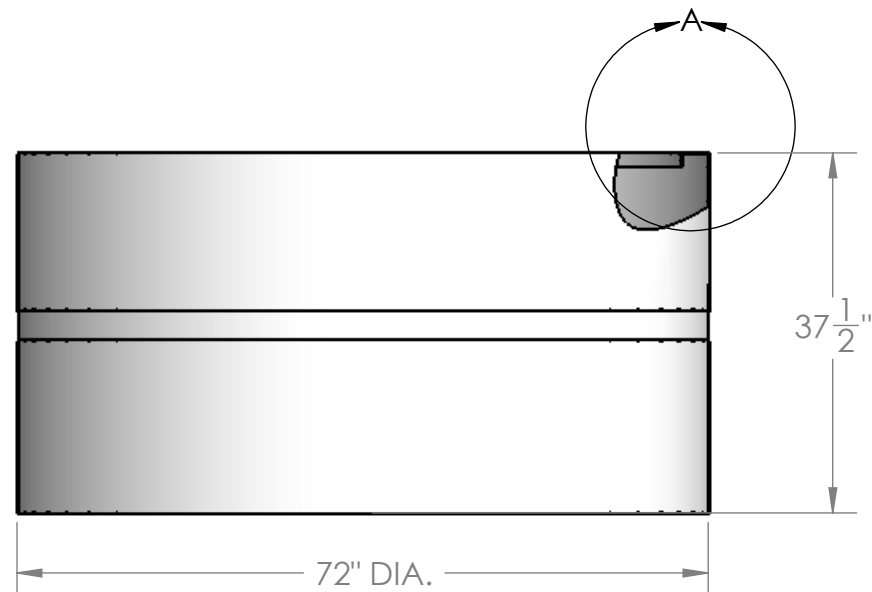
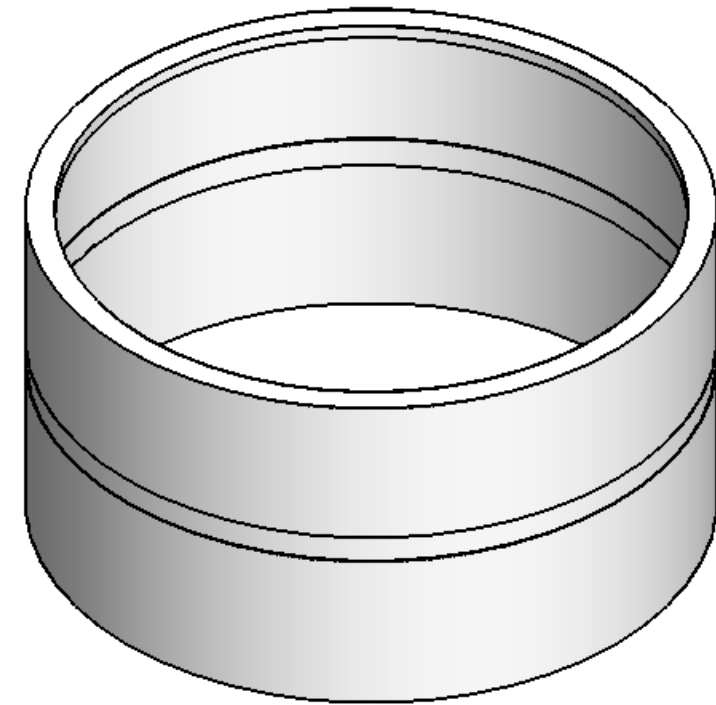


DETAIL A
SCALE 1 : 8



NOTES:

1. MATERIAL: HDPE
2. MOLDED WEIGHT: 100 LBS.
3. RATED: 1.5 S.G.

PROPRIETARY AND CONFIDENTIAL
 THE INFORMATION CONTAINED IN THIS DRAWING IS THE SOLE PROPERTY OF <INSERT COMPANY NAME HERE>. ANY REPRODUCTION IN PART OR AS A WHOLE WITHOUT THE WRITTEN PERMISSION OF <INSERT COMPANY NAME HERE> IS PROHIBITED.

| | | | | | | | | |
|-------------|---------|---|--|-----------|--------|---|----------------|--------------|
| | | UNLESS OTHERWISE SPECIFIED: | | NAME | DATE | CUSTOM ROTO-MOLDING, INC. | | |
| | | DIMENSIONS ARE IN INCHES TOLERANCES: FRACTIONAL ± ANGULAR: MACH ± BEND ± TWO PLACE DECIMAL ± THREE PLACE DECIMAL ± | | DRAWN | 6/3/09 | | | |
| | | INTERPRET GEOMETRIC TOLERANCING PER: | | CHECKED | | TITLE: 660 GALLON OPEN TOP TANK | | |
| | | MATERIAL | | ENG APPR. | | | | |
| NEXT ASSY | USED ON | FINISH | | MFG APPR. | | SIZE | DWG. NO. | REV |
| APPLICATION | | DO NOT SCALE DRAWING | | COMMENTS: | | B | 660 OTT | |
| | | | | | | SCALE: 1:20 WEIGHT: | | SHEET 1 OF 1 |