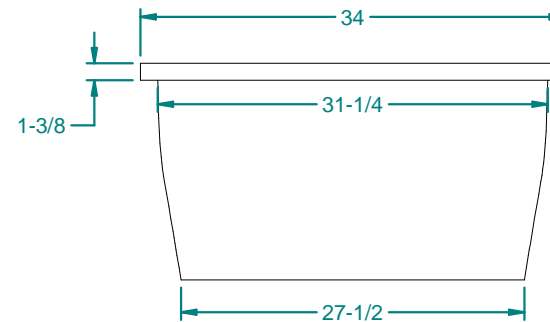
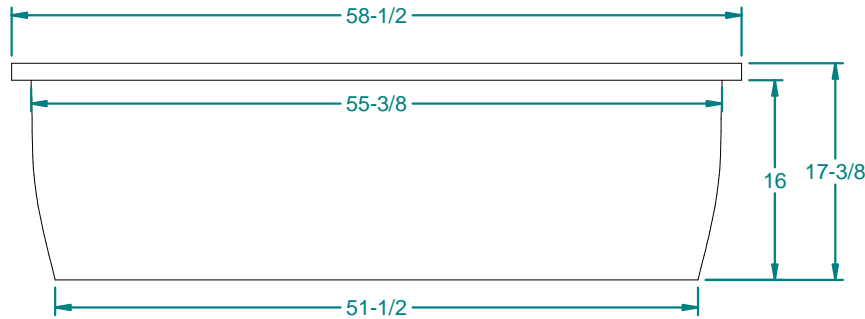
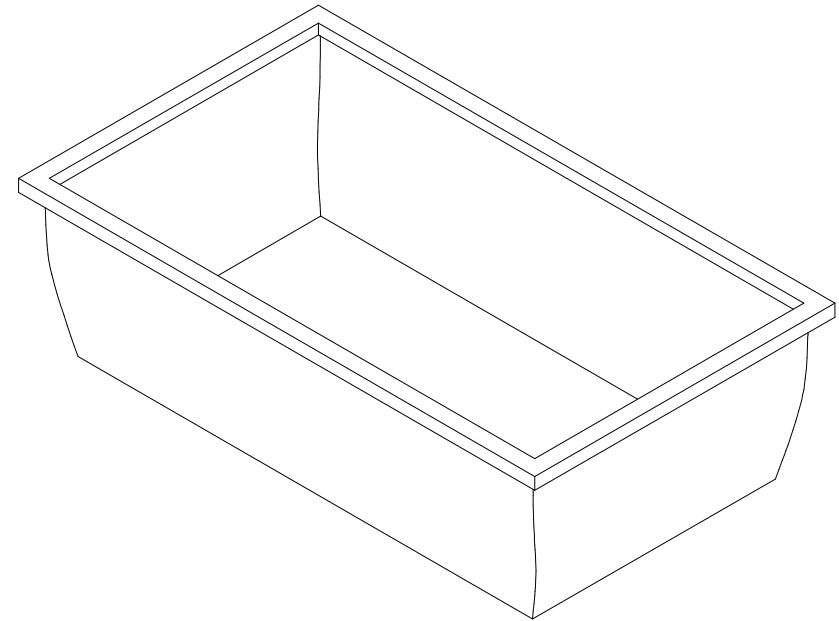
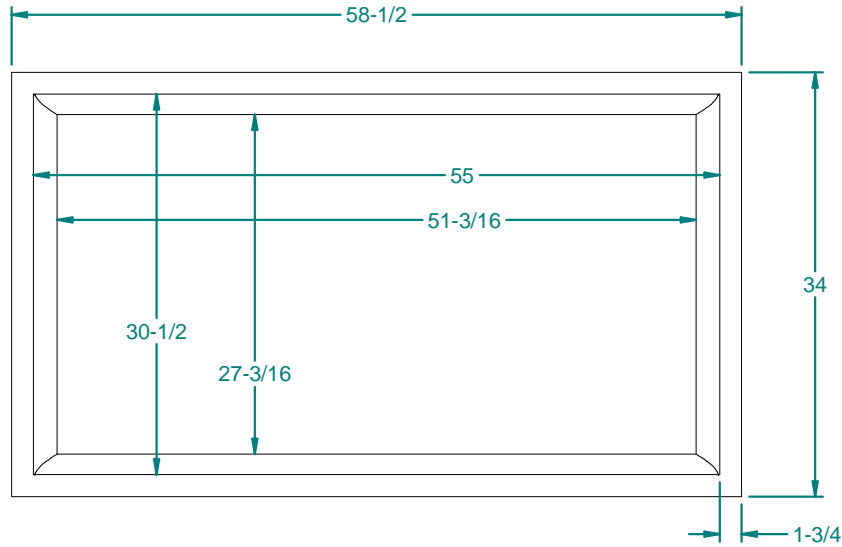



501170 Rectangular Breeder Bin

REVISION HISTORY

| REV | DESCRIPTION | DATE | APPROVED | Revised By |
|-----|-----------------------------------|------------|----------|------------|
| 01 | Existing Part Dimensional Drawing | 10/30/2012 | | |



| | | | | | | |
|---|---|------------|---|---------------------|---------------|--|
| Weight: 44 lbm | NAME | DATE |  16160 Hwy 27 Lake Wales, FL. 33859 | | | |
| Wall Thickness: 0.187 in | Drawn By: S. Arant | 10/30/2012 | | | | |
| Customer Part No: N/A | Customer APPR | | Customer: Dura-Cast Products, Inc. | | | |
| Print Date: 10/30/2012 | COPYRIGHT © 2011 DURA-CAST PRODUCTS, INC. | | Part Title: Rectangular Breeder Bin | | | |
| Comments: - UNLESS OTHERWISE SPECIFIED DIMENSIONS ARE IN INCHES - Std Radii 3/16" | UNLESS OTHERWISE SPECIFIED TOLERANCES ARE: DIMS > 10" ±1% DIMS < 10" ±0.100 WALL THICKNESS ± 20% FLATNESS ± .030 in/in | | File Name: 501170 Rectangular Breeder Bin.dft | | | |
| | | | Size: A | Material: LLDPE 939 | Rev: 01 | |
| | | | Part No: 501170 | Do Not Scale | Sheet: 1 OF 1 | |