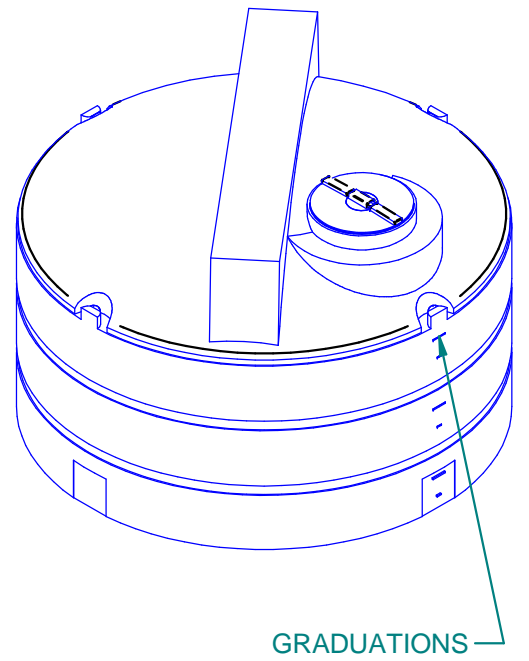
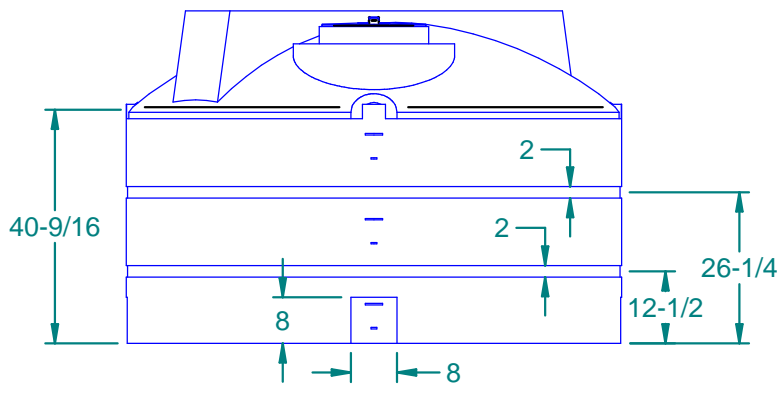
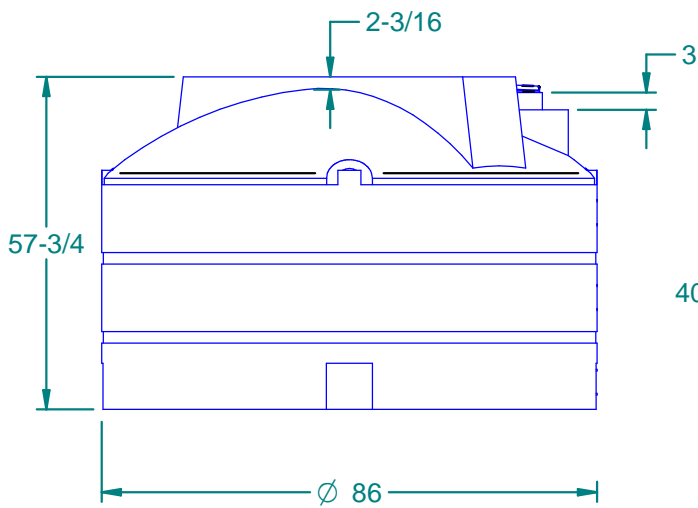
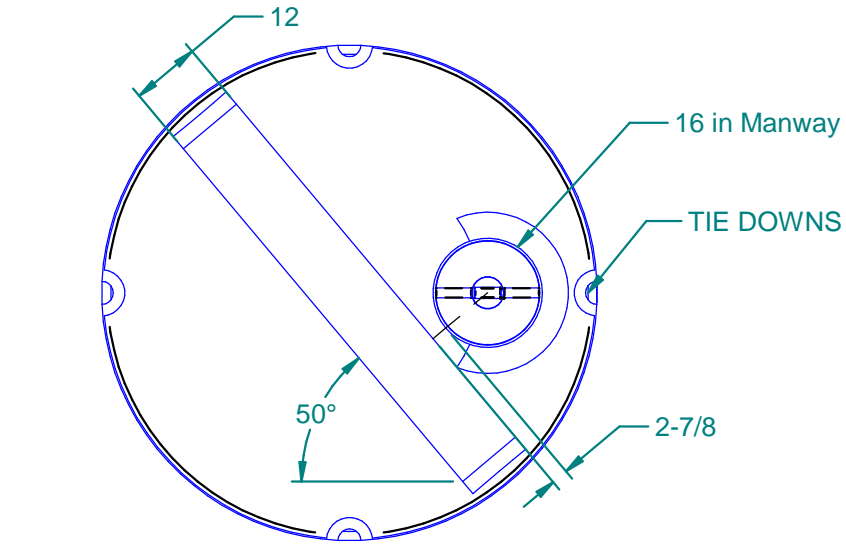



MAIN PRODUCT INFORMATION



REVISION HISTORY

REV	DESCRIPTION	DATE	APPROVED	Revised By
10	ADDED 3" RING TO INCREASE CAPACITY	02/11/10		

Weight: 244.564 lbm	NAME	DATE	 16160 Hwy 27 Lake Wales, FL. 33859		
Wall Thickness: 0.250 in	Drawn By: mnegron	3/31/2011			
Customer Part No: n/a	Customer APPR		Customer:	Dura-Cast Products, Inc.	
Print Date: 3/31/2011	Copyright © 2007 Dura-Cast Products, Inc.		Part Title:	1100 Gal Vertical Tank	
Comments: - UNLESS OTHERWISE SPECIFIED DIMENSIONS ARE IN INCHES - Std Radii 3/16"	Tolerance:		File Name:	V-1100 Vertical (Flat Top) 02.dft	
	UNLESS OTHERWISE SPECIFIED TOLERANCES ARE ±1%		Size: A	Material: Polyethylene, low density	Rev: 10
	Part No: 901100-A0100XX1	Do Not Scale	Sheet:	1 OF 1	