

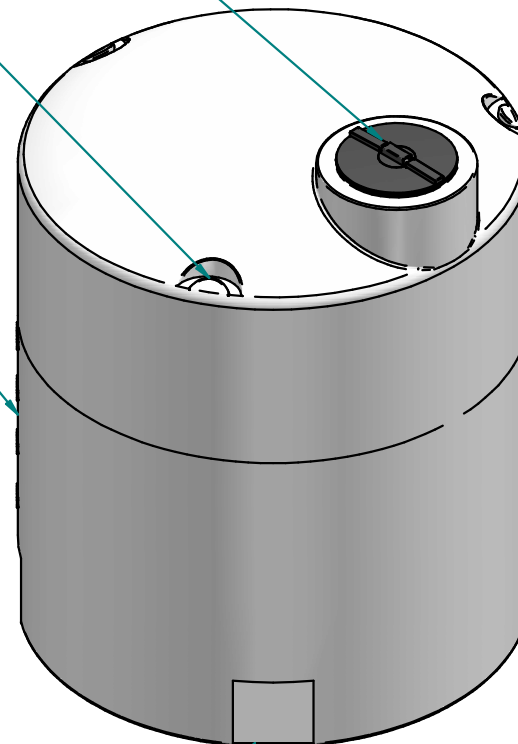
Top View

Ø 76

TANK TIE DOWN AREAS
120° APART
60° FROM MANWAY

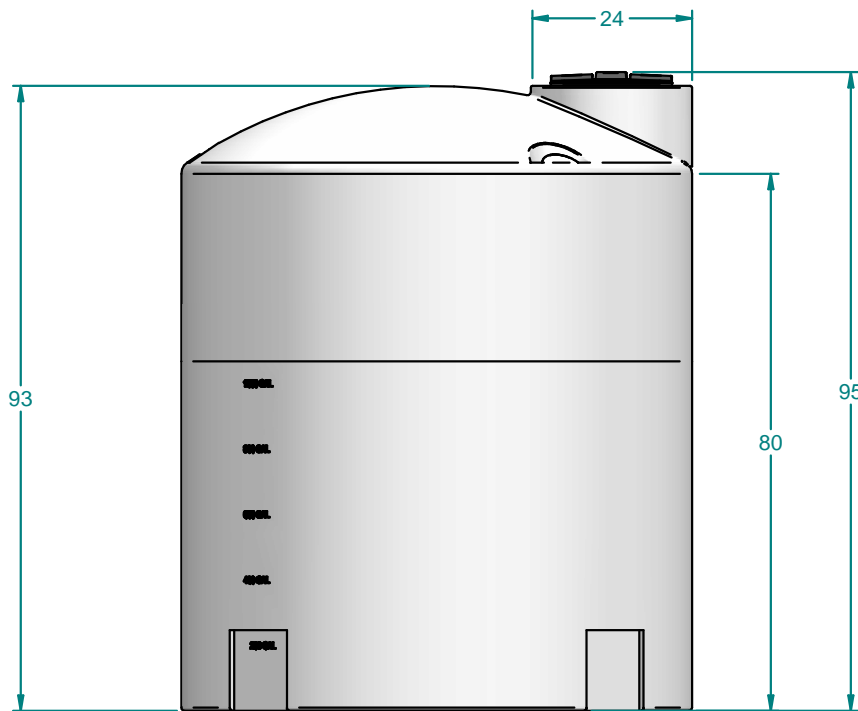
TANK IS CALIBRATED
IN 200 GAL INCREMENTS
UP TO 1000 GALLONS
ALIGNED WITH FLAT SPOT

16" MANWAY



ISO View


FLAT SPOT
90° APART
45° FROM MANWAY



Side View

wall thickness: 0.300"

REVISION HISTORY			
REV	DESCRIPTION	DATE	APPROVED
10	UPDATED DRAWING ACCORDING TO CURRENT TANK	03/30/11	

 16160 Hwy 27 Lake Wales, FL 33859		
DRAWN	NAME: mnegron	DATE: 3/30/2011
CHECKED		
ENG APPR		
MGR APPR		
UNLESS OTHERWISE SPECIFIED DIMENSIONS ARE IN INCHES ANGLES ±0.5° 2 PL ±0.125" 3 PL ±0.060"		TITLE: V-1700 Gallon Tank SIZE A MATERIAL: hdpe natural (200) REV 10 FILE NAME: 901750 01.dft
PART#: 901750	WEIGHT: 299.420 lbm	SHEET 1 OF 1