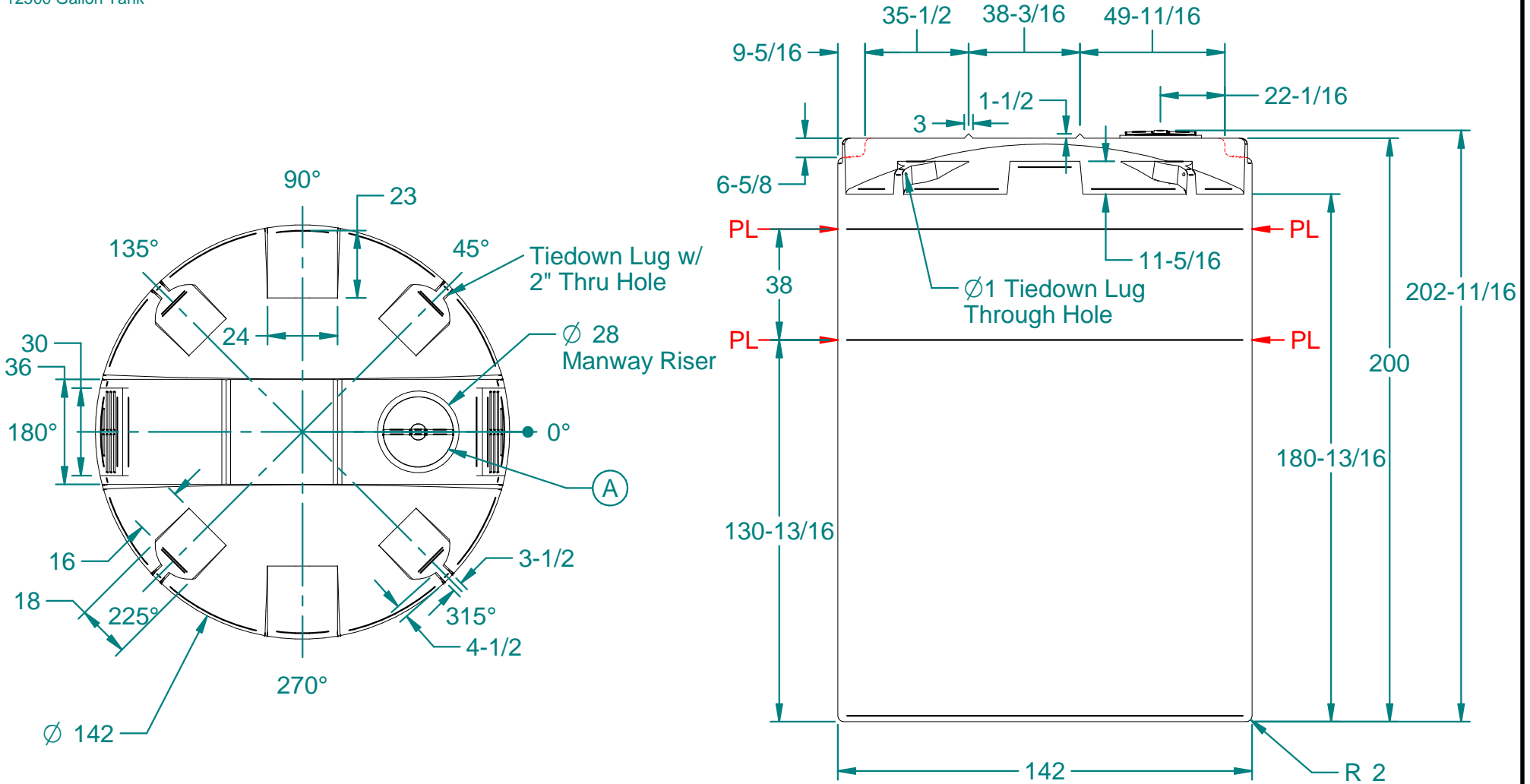



12500 Gallon Tank



A. 24" HDPE THREADED - VENTED MANWAY W/ 22" ACCESS, BLACK, W/ SS SCREWS (P/N 751022)

TANK FITTINGS TO BE INSTALLED AT TIME OF SHIPMENT AS PER DURA-CAST PROCEDURES

Weight: Dependent on specific gravity rating		NAME	DATE	 16160 Hwy 27 Lake Wales, FL. 33859
Wall Thickness: Dependent on specific gravity rating	Drawn By:	SArant	2/20/2013	
Customer Part No: N/A	Customer APPR			Customer: Dura-Cast Products, Inc.
Print Date: 2/20/2013	COPYRIGHT © 2012 DURA-CAST PRODUCTS, INC.			Part Title: 12500 Gallon Tank
Comments: - UNLESS OTHERWISE SPECIFIED DIMENSIONS ARE IN INCHES - Std Radii 3/16"	UNLESS OTHERWISE SPECIFIED TOLERANCES ARE DIMS > 10" ±1% DIMS < 10" ±0.100 WALL THICKNESS ± 20% FLATNESS ± .030 in/in			File Name: 912500 12500 Gallon Vertical Tank.dft
				Size: A
Part No: 912500-A0200XXI		Do Not Scale	Sheet: 1 OF 1	