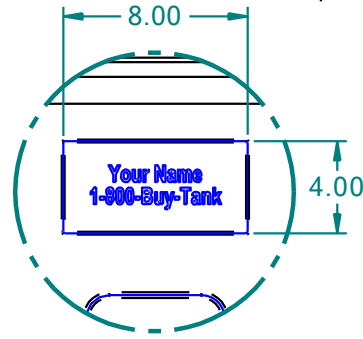
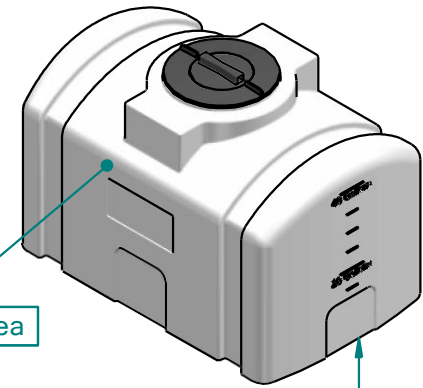


Top View



DETAIL D

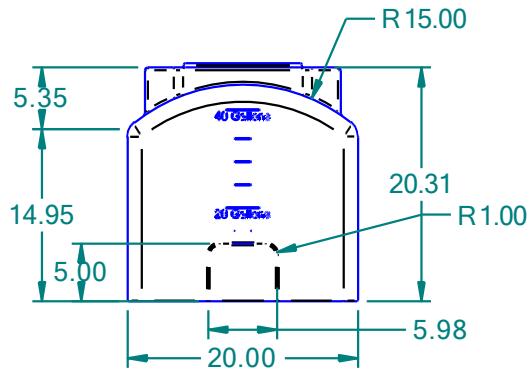
REVISION HISTORY			
REV	DESCRIPTION	DATE	APPROVED



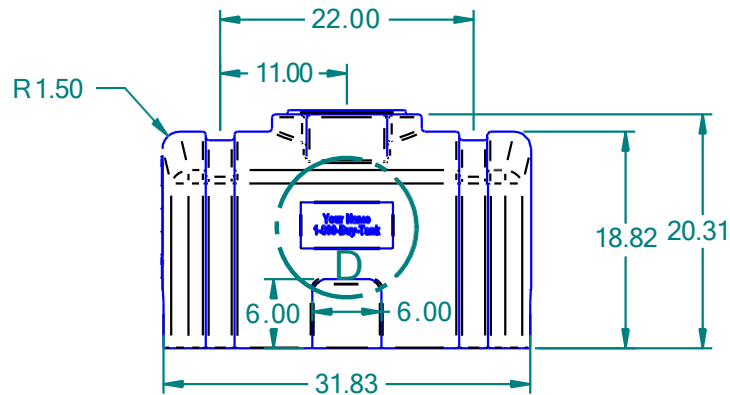
ISO View

label or graphic area
2 plcs

flats for bulkhead
4 plcs



End View

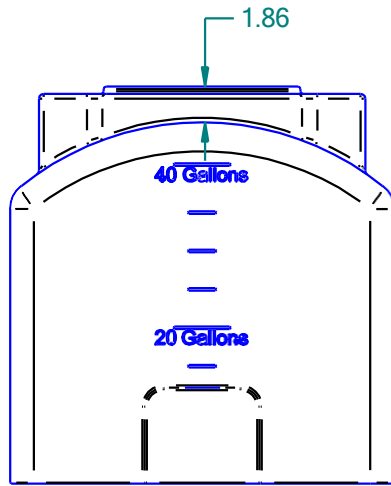


Side View

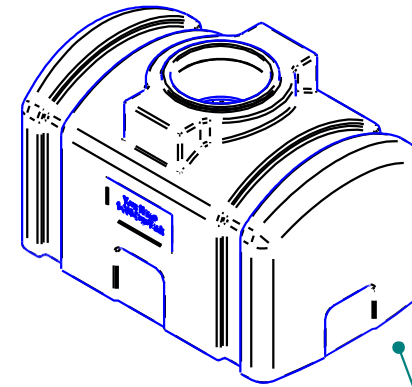
Tank Capacity: 40 Gallons			
DRAWN	NAME	DATE	16160 Hwy 27 Lake Wales, FL 33859
CHECKED	Michael N.	5/8/2006	TITLE 40 Gallon Horz Tank
ENG APPR			SIZE A MATERIAL Polyethylene, low density REV
MGR APPR			FILE NAME: 40 Gallon Loaf Tank.dft
UNLESS OTHERWISE SPECIFIED DIMENSIONS ARE IN INCHES ANGLES ±0.5° 2 PL ±0.125" 3 PL ±0.060"		PART#: 920040	WEIGHT: 21.890 lbm SHEET 1 OF 3

REVISION HISTORY

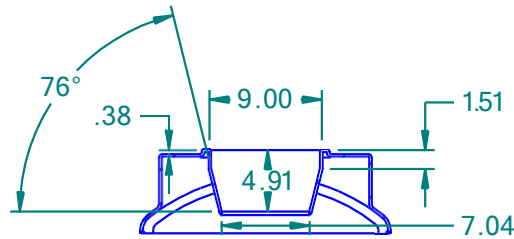
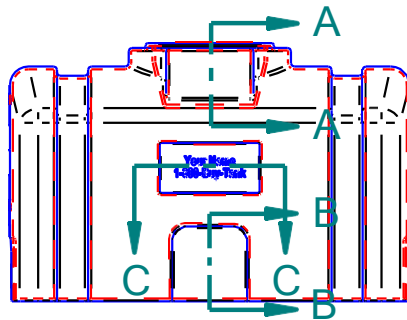
REV	DESCRIPTION	DATE	APPROVED



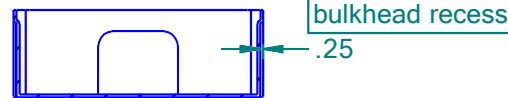
End View



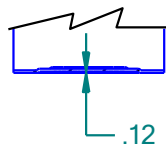
flat surface for bulkhead
4 plcs



SECTION A-A



SECTION B-B



SECTION C-C



	NAME	DATE
DRAWN	Michael N.	5/8/2006
CHECKED		
ENGAPPR		
MGRAPPR		

16160 Hwy 27 Lake Wales, FL 33859

TITLE		40 Gallon Horz Tank
SIZE	MATERIAL	Polyethylene, low density
A		

FILE NAME: 40 Gallon Loaf Tank.dft

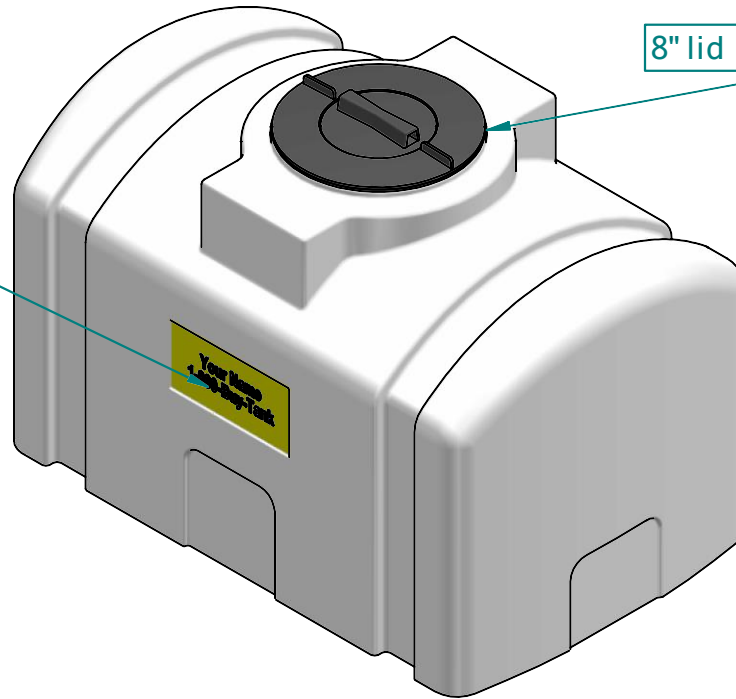
UNLESS OTHERWISE SPECIFIED
DIMENSIONS ARE IN INCHES
ANGLES ±0.5°
2 PL ±0.125" 3 PL ±0.060"

PART# 920040	WEIGHT 21.890 lbm	SHEET 2 OF 3
--------------	-------------------	--------------

REVISION HISTORY


REV	DESCRIPTION	DATE	APPROVED

customer label or graphic
2 plcs



8" lid must be tethered to inside cone

tank shown assembled
with 8" manway

		16160 Hwy 27 Lake Wales, FL 33859	
		TITLE 40 Gallon Horz Tank	
SIZE A	MATERIAL Polyethylene, low density	REV	
FILE NAME: 40 Gallon Loaf Tank.dft			
PART# 920040	WEIGHT 21.890 lbm	SHEET 3 OF 3	

	NAME	DATE
DRAWN	Michael N.	5/8/2006
CHECKED		
ENG APPR		
MGR APPR		

UNLESS OTHERWISE SPECIFIED
DIMENSIONS ARE IN INCHES
ANGLES ±0.5°
2 PL ±0.125" 3 PL ±0.060"