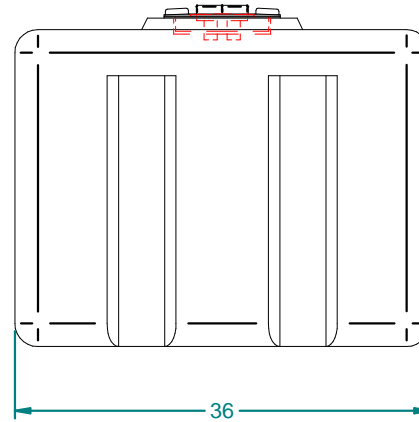
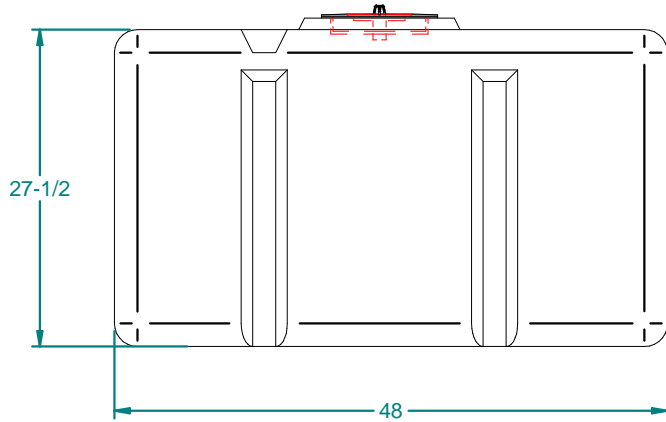
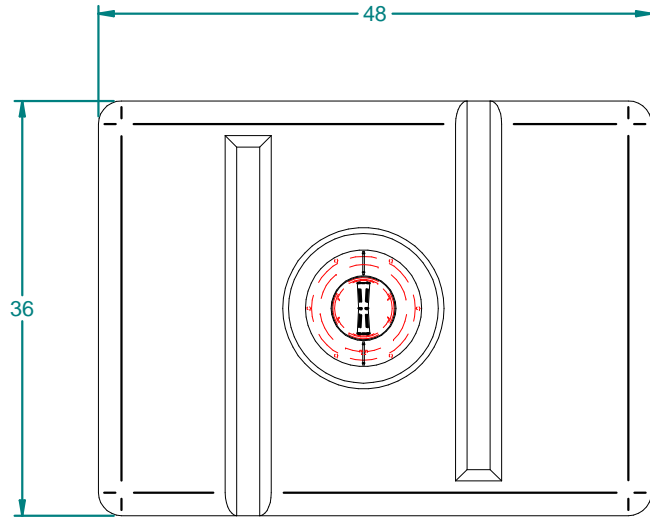


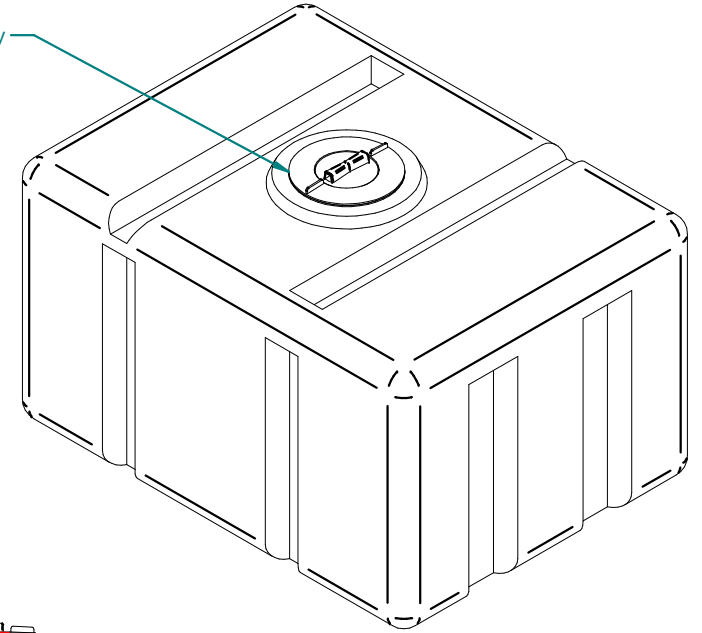
MAIN PRODUCT INFORMATION



REVISION HISTORY

REV	DESCRIPTION	DATE	APPROVED	Revised By
10	RE-DRAWN IN S.E.	05/16/17		

8 in Manway



Weight: 63 lbm	NAME	DATE	 16160 Hwy 27 Lake Wales, FL. 33859		
Wall Thickness: 0.220 in	Drawn By: mnegron	5/16/2017			
Customer Part No: n/a	Customer APPR		Customer: Dura-Cast Products, Inc.		
Print Date: 5/16/2017	Copyright © 2017 Dura-Cast Products, Inc.		Part Title: 200 Gal Loaf Tank		
Comments: - UNLESS OTHERWISE SPECIFIED DIMENSIONS ARE IN INCHES - Std Radii 3/16"	UNLESS OTHERWISE SPECIFIED TOLERANCES ARE DIMS > 10" ±1% DIMS < 10" ±0.100 WALL THICKNESS ± 20% FLATNESS ± .030 in/in		File Name: 200 Gal Loaf Tank.dft		
			Size: A	Material: Polyethylene, low density	Rev: 10
			Part No: 921200-AH100XXI	Do Not Scale	Sheet: 1 OF 1