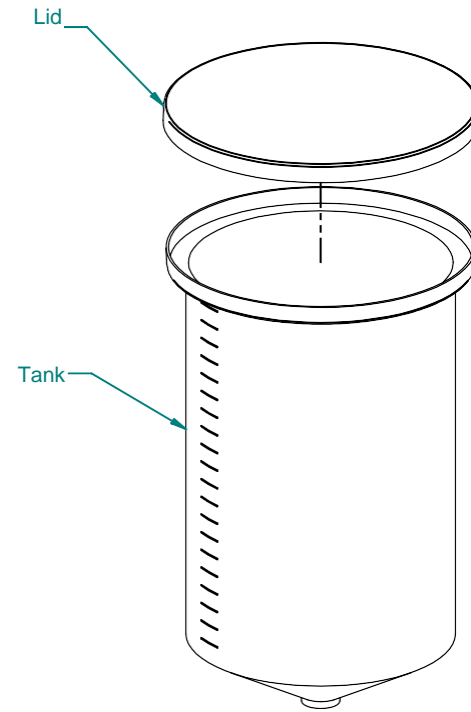
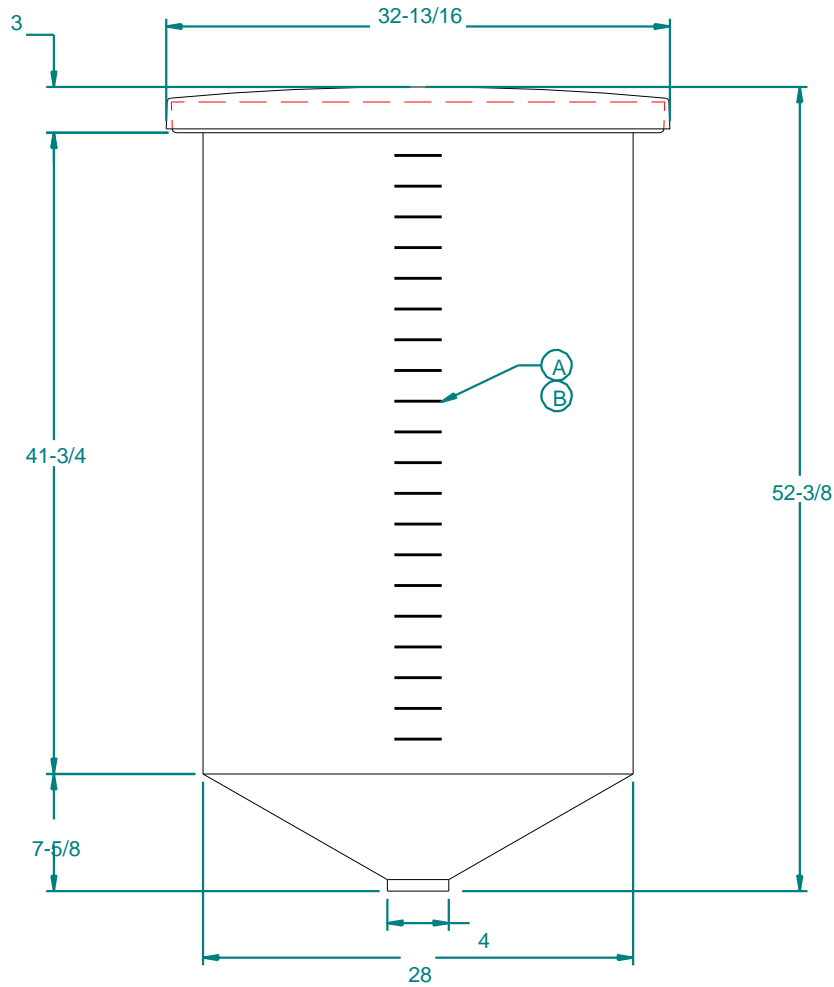


MAIN PRODUCT INFORMATION


REVISION HISTORY

REV	DESCRIPTION	DATE	APPROVED	Revised By
010	Updated Part Drawing	4/3/2014		



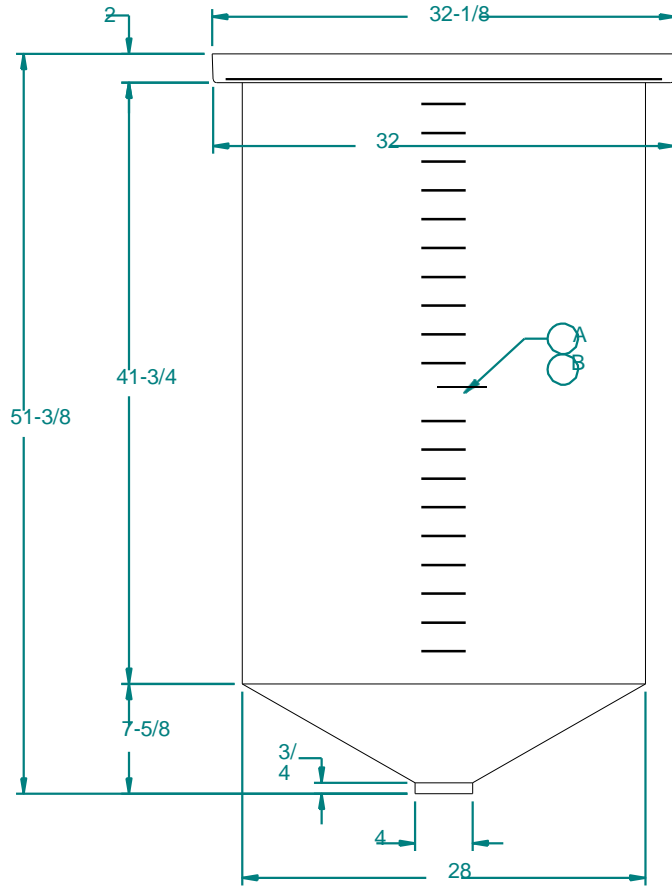
A. Mixed Calibration for Flat Bottom and Cone Bottom 100 Gallon Tanks.

B. Graduations in Gallons and Liters

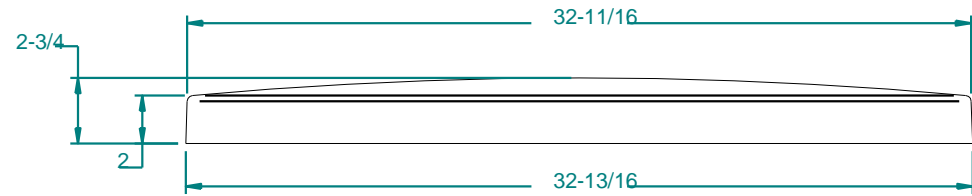
Weight: 53 lbm	NAME	DATE	 16160 Hwy 27 Lake Wales, FL 33859
Wall Thickness: 0.250 in	Drawn By: S. Arant	4/1/2014	
Customer Part No: NA	Customer: Dura-Cast Products, Inc.	Part Title: 100 Gallon Cone Tank with Lid	File Name: 100 Gal Cone Tank with Lid.dft
Print Date: 4/3/2014	Copyright © 2014 Dura-Cast Products, Inc.	Material: LLDPE 939	Rev: 010
Comments: - UNLESS OTHERWISE SPECIFIED DIMENSIONS ARE IN INCHES - Std Radii 3/16"	UNLESS OTHERWISE SPECIFIED TOLERANCES ARE: DIMS > 10" ± 1% DIMS < 10" ± 0.100 WALL THICKNESS ± 20% FLATNESS ± .030 in/in	Part No: 970100	Do Not Scale Sheet: 10F3

REVISION HISTORY

REV	DESCRIPTION	DATE	APPROVED	Revised By
010	Updated Part Drawing	4/3/2014		




100 Gallon Cone Tank



100 Gallon Cone Tank Lid

A. Mixed Calibration for Flat Bottom and Cone Bottom 100 Gallon Tanks.

B. Graduations in Gallons and Liters

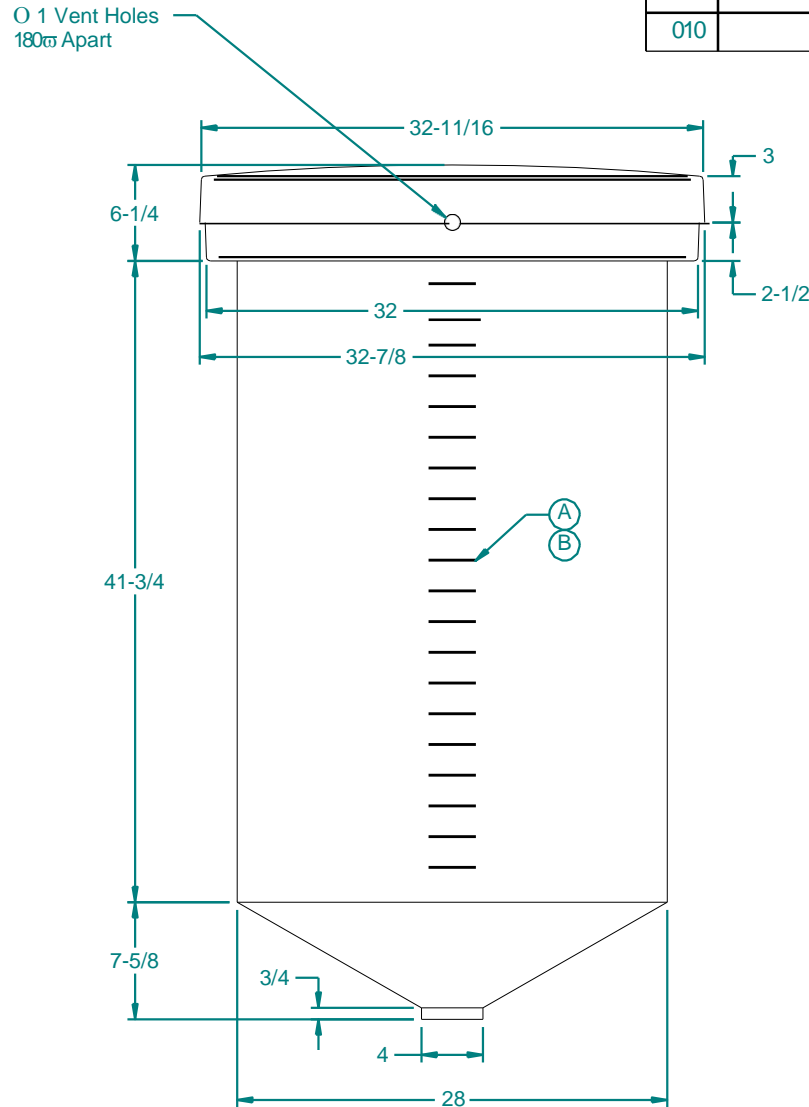
Weight: 53 lbm	NAVE	DATE	
Wall Thickness: 0.250 in	Drawn By: S.Arant	4/1/2014	
Customer Part No: NA	Customer APPR		16160 Hwy 27 Lake Wales, FL 33859
Print Date: 4/3/2014	Copyright © 2014 Dura-Cast Products, Inc.		Customer: Dura-Cast Products, Inc.
Comments: - UNLESS OTHERWISE SPECIFIED DIMENSIONS ARE IN INCHES - Std Radii 3/16"	UNLESS OTHERWISE SPECIFIED TOLERANCES ARE: DIMS > 10" ±1% DIMS < 10" ±0.100 WALL THICKNESS ±20% FLATNESS ±.030 in/in	Part Title: 100 Gallon Cone Tank with Lid	File Name: 100 Gal Cone Tank with Lid.dft
		Size: A	Material: LLDPE 939
		Part No: 970100	Do Not Scale

Rev: 010

MOLDED PRODUCT INFORMATION


REVISION HISTORY

REV	DESCRIPTION	DATE	APPROVED	Revised By
010	Updated Part Drawing	4/3/2014		



A. Mixed Calibration for Flat Bottom and Cone Bottom 100 Gallon Tanks.

B. Graduations in Gallons and Liters

Weight: 53 lbm	NAME: S. Arant	DATE: 4/1/2014	 16160 Hwy 27 Lake Wales, FL 33859		
Wall Thickness: 0.250 in	Drawn By: S. Arant	4/1/2014			
Customer Part No: NA	Customer: APFR		Customer: Dura-Cast Products, Inc.		
Print Date: 4/3/2014	Copyright © 2014 Dura-Cast Products, Inc.		Part Title: 100 Gallon Cone Tank with Lid		
Comments: - UNLESS OTHERWISE SPECIFIED DIMENSIONS ARE IN INCHES - Std Radii 3/16"	UNLESS OTHERWISE SPECIFIED TOLERANCES ARE: DIMS > 10" ± 1% DIMS < 10" ± 0.100 WALL THICKNESS ± 20% FLATNESS ± 0.030 in/in		File Name: 100 Gal Cone Tank with Lid.dft		
			Size: A	Material: LLDPE 939	Rev: 010
			Part No: 970100	Do Not Scale	Sheet: 3 OF 3