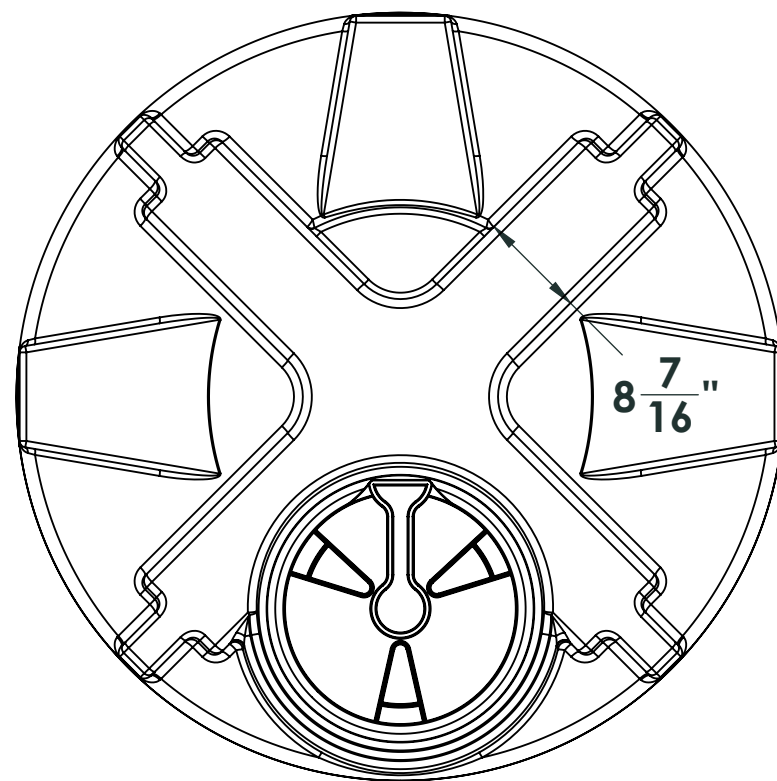


4

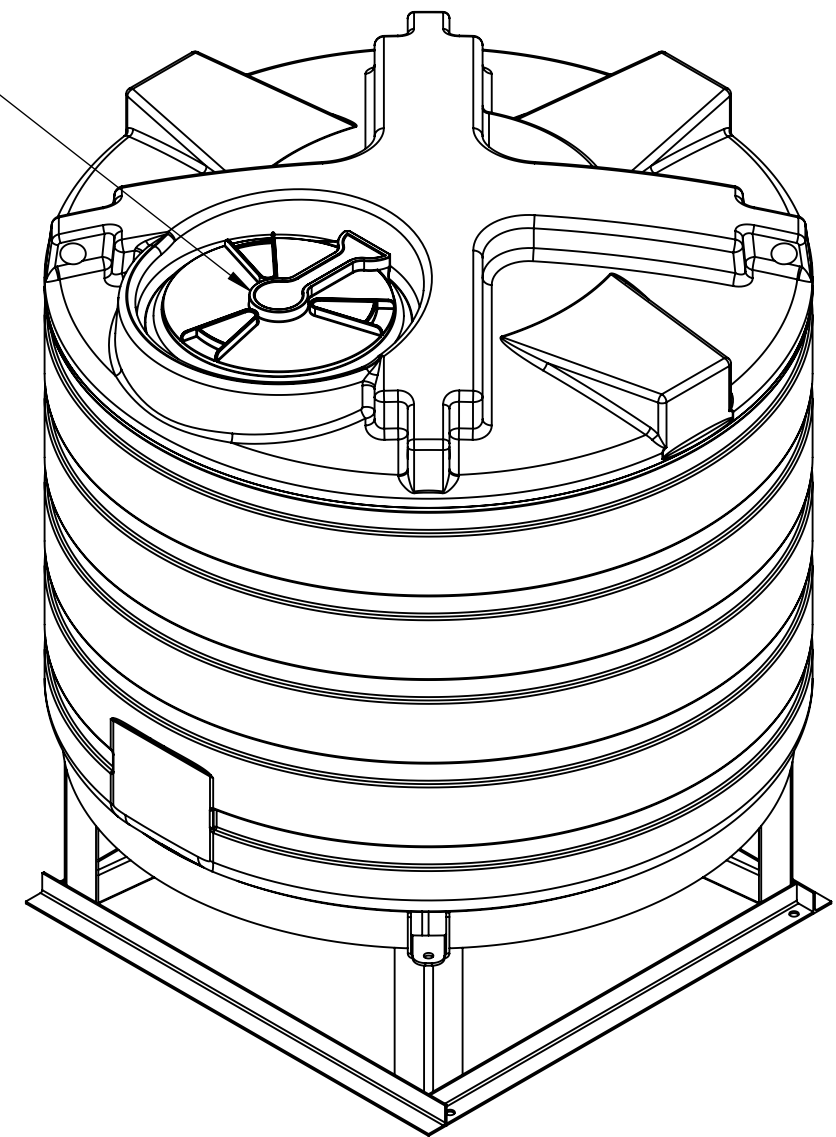
3

2

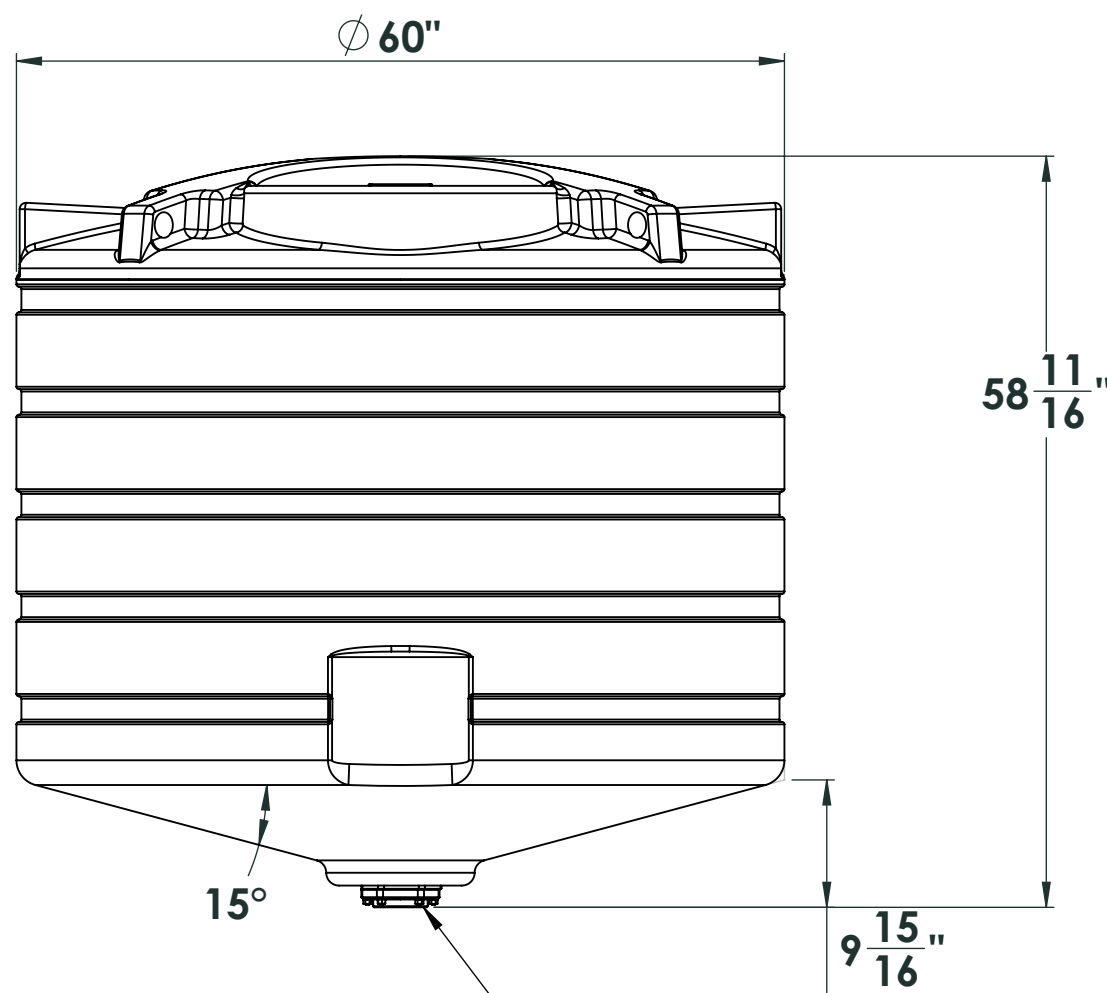
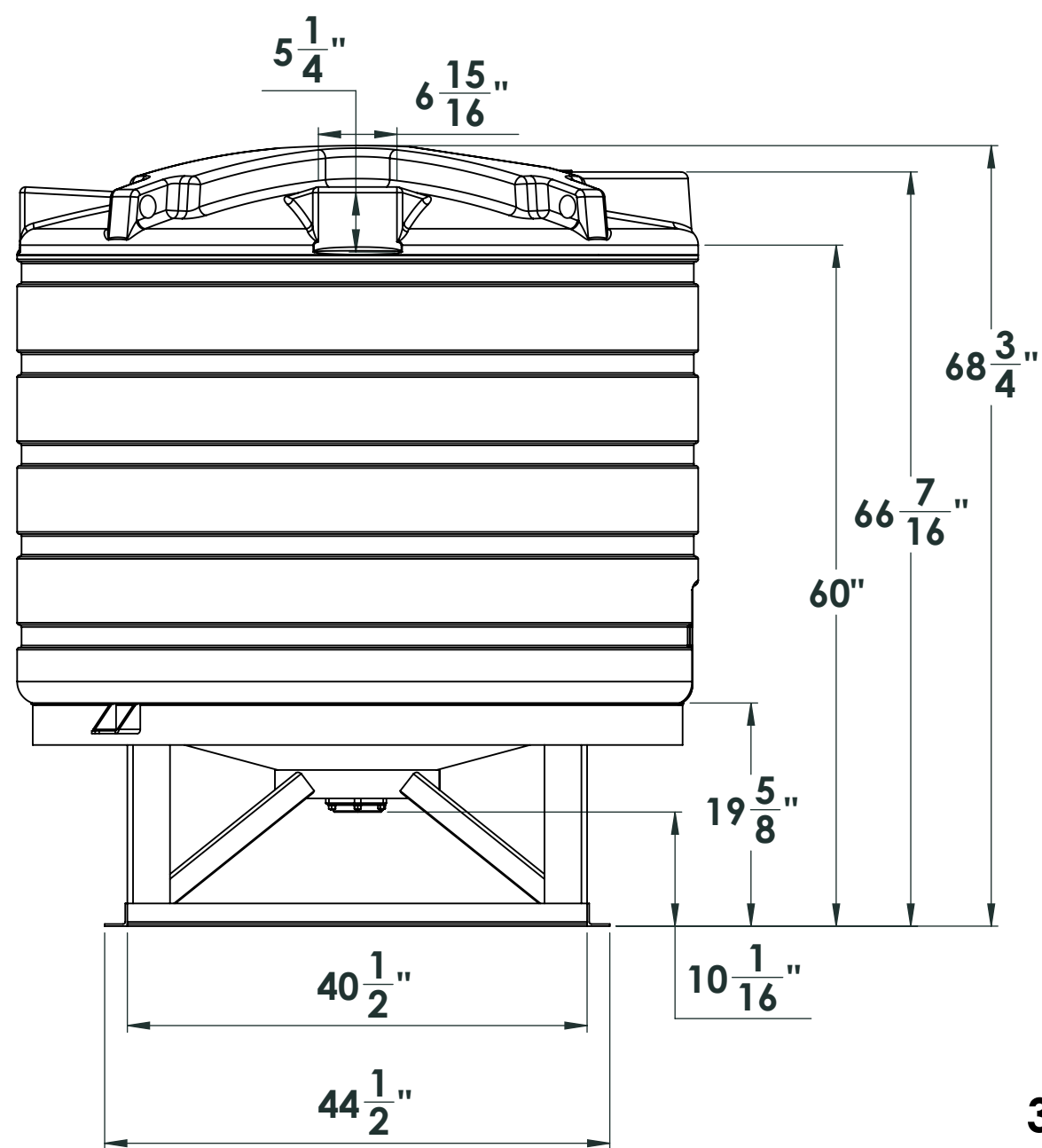
1



16 inch lid



Shown with AZFC00550 stand



3 inch bolted - bottom drain fitting

NOTE: Allow +/- 1.5% Shrinkage

PROPRIETARY AND CONFIDENTIAL
 THE INFORMATION CONTAINED IN THIS DRAWING IS THE SOLE PROPERTY OF ENDURAPLAS LLC. ANY REPRODUCTION IN PART OR AS A WHOLE WITHOUT THE WRITTEN PERMISSION OF ENDURAPLAS LLC IS PROHIBITED.

UNLESS OTHERWISE SPECIFIED:		NAME	DATE	ENDURAPLAS LLC	
DIMENSIONS ARE IN INCHES		DRAWN	DNS	1/26/17	TITLE:
TOLERANCES:		CHECKED			THC00550
FRACTIONAL ±		ENG APPR.			
ANGULAR: MACH ± BEND ±		MFG APPR.			
TWO PLACE DECIMAL ±		Q.A.			SIZE DWG. NO.
THREE PLACE DECIMAL ±		COMMENTS:			REV
INTERPRET GEOMETRIC TOLERANCING PER:					1
MATERIAL					SCALE: 1:20 WEIGHT:
FINISH					SHEET 1 OF 1
NEXT ASSY	USED ON				
APPLICATION					
DO NOT SCALE DRAWING					

4

3

2

1

D

D

C

C

B

B

A

A