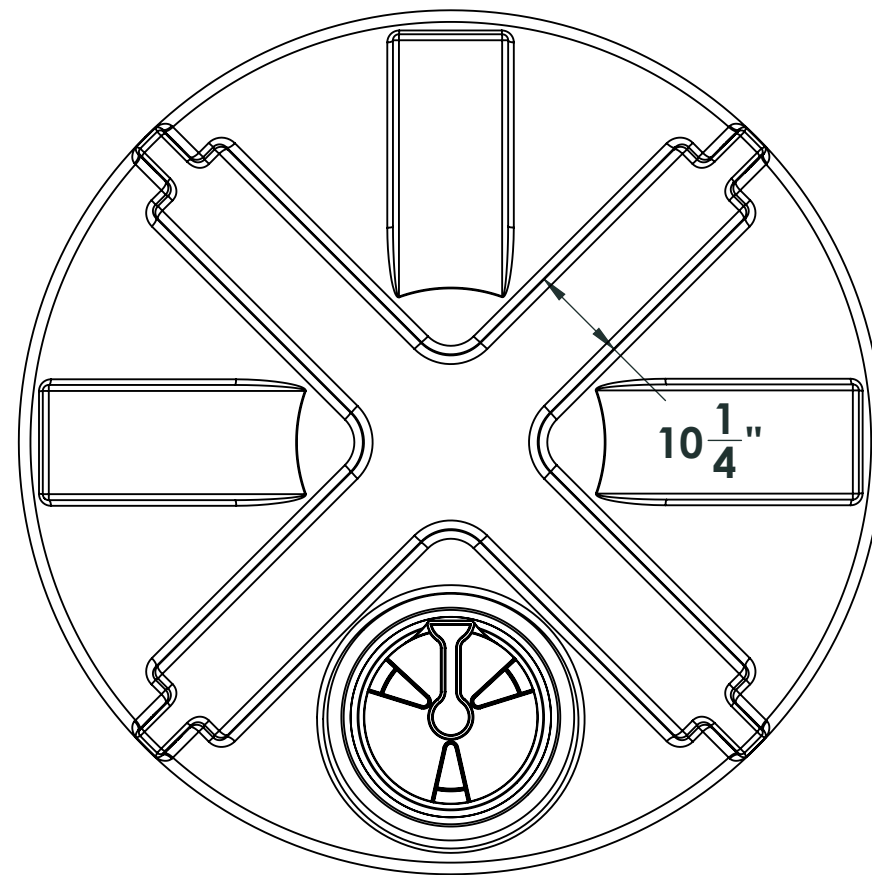


4

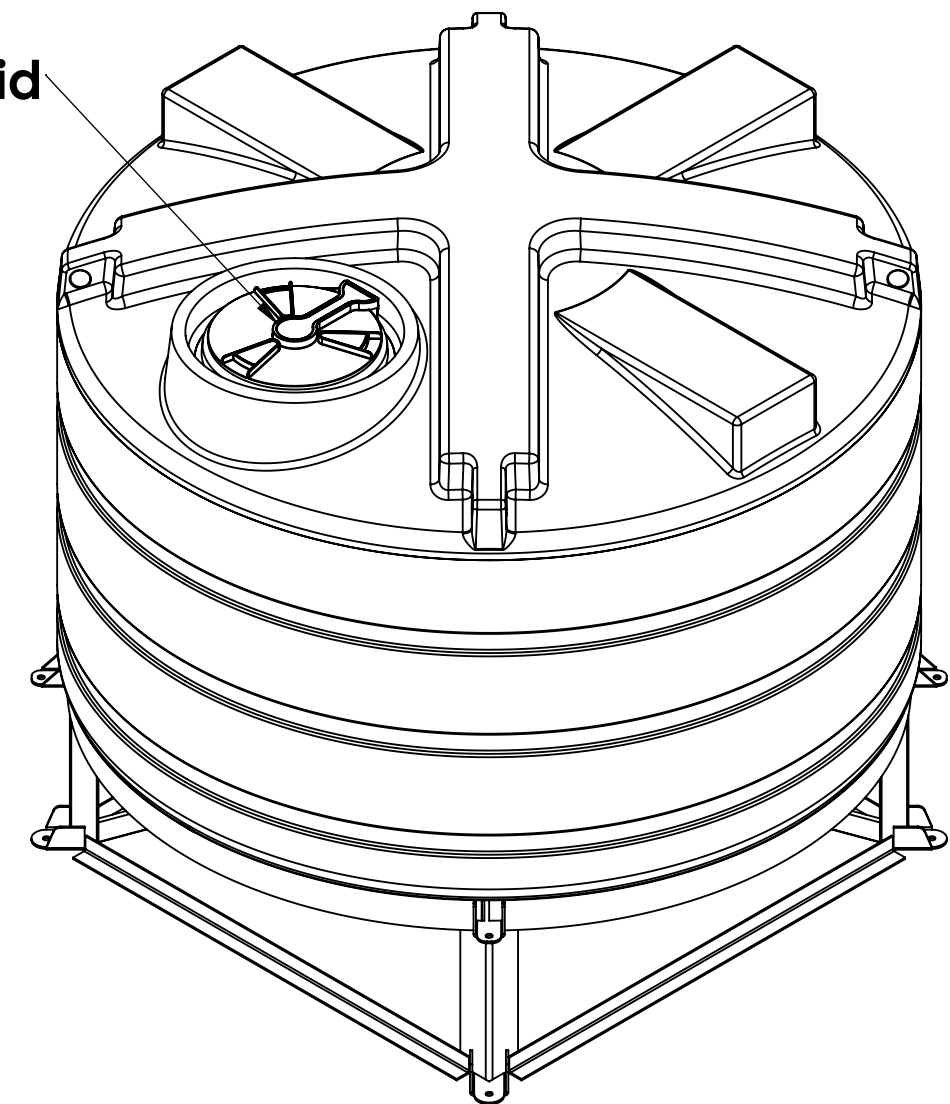
3

2

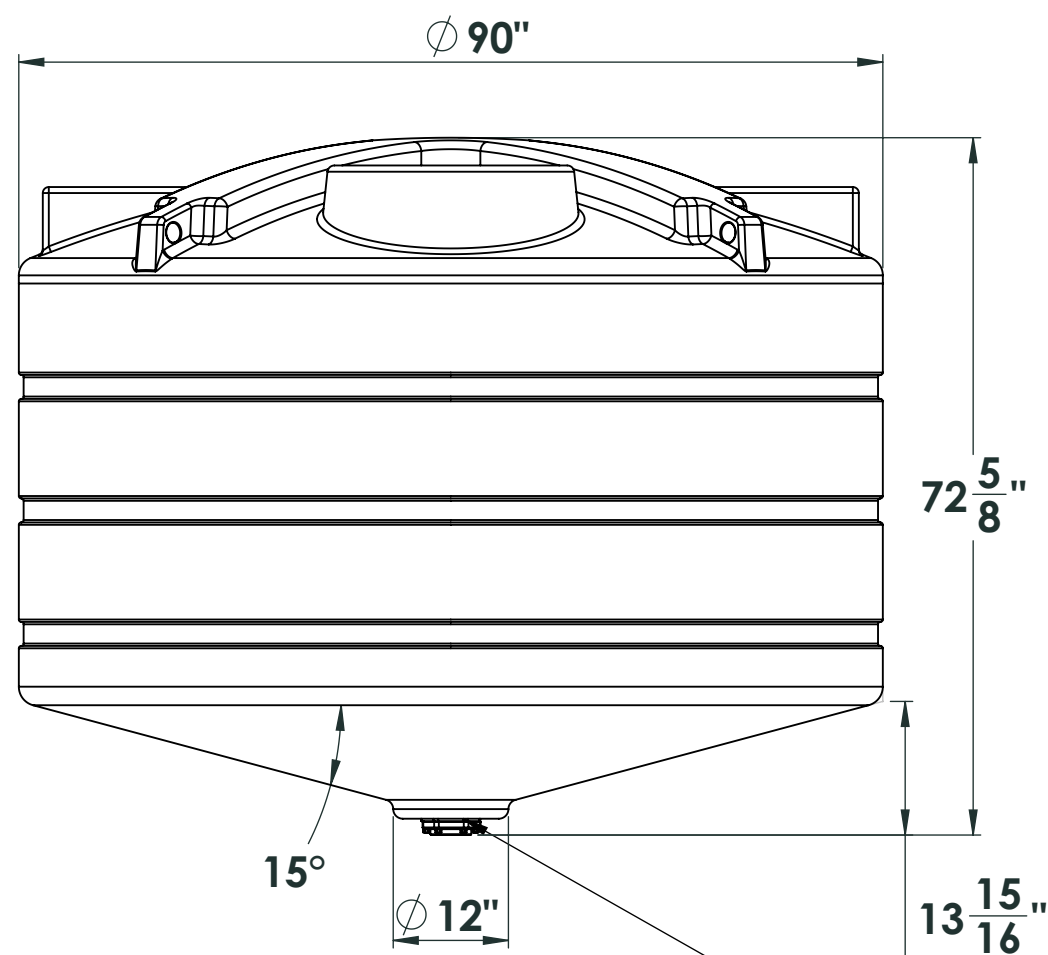
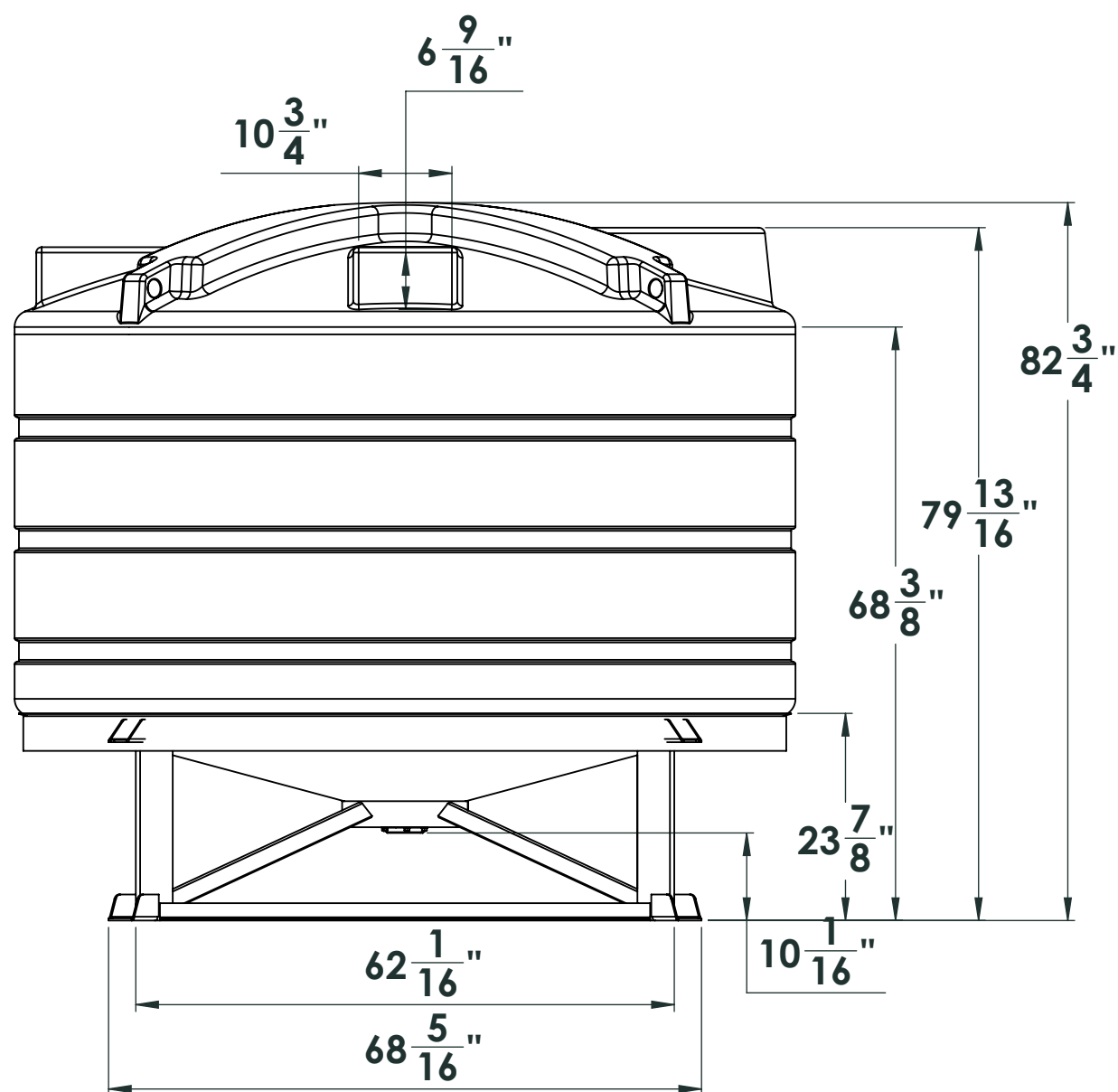
1



16 inch lid



Shown with AZFC01200 stand



3 inch bolted - bottom drain fitting

NOTE: Allow +/- 1.5% Shrinkage

PROPRIETARY AND CONFIDENTIAL
 THE INFORMATION CONTAINED IN THIS DRAWING IS THE SOLE PROPERTY OF ENDURAPLAS LLC. ANY REPRODUCTION IN PART OR AS A WHOLE WITHOUT THE WRITTEN PERMISSION OF ENDURAPLAS LLC IS PROHIBITED.

UNLESS OTHERWISE SPECIFIED:		NAME	DATE	ENDURAPLAS LLC	
DIMENSIONS ARE IN INCHES		DRAWN	DNS	11/2/16	TITLE:
TOLERANCES:		CHECKED			THC01200
FRACTIONAL ±		ENG APPR.			
ANGULAR: MACH ± BEND ±		MFG APPR.			SIZE DWG. NO.
TWO PLACE DECIMAL ±		Q.A.			REV
THREE PLACE DECIMAL ±		COMMENTS:			1
INTERPRET GEOMETRIC TOLERANCING PER:	MATERIAL:			SCALE: 1:50	WEIGHT:
FINISH:	APPLICATION:			SHEET 1 OF 1	

4

3

2

1

D

D

C

C

B

B

A

A