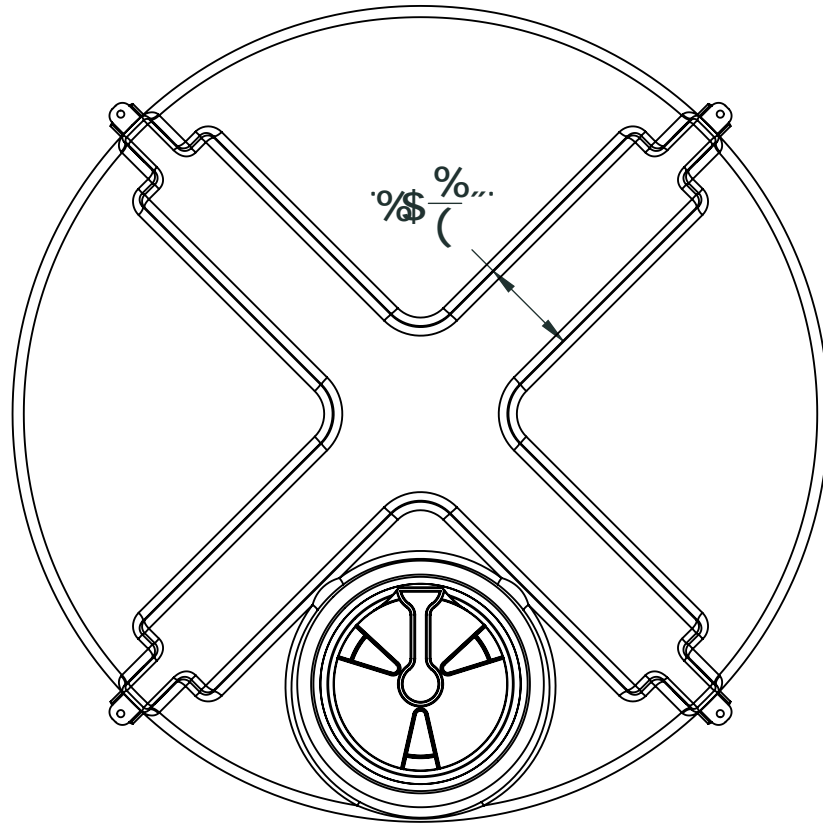
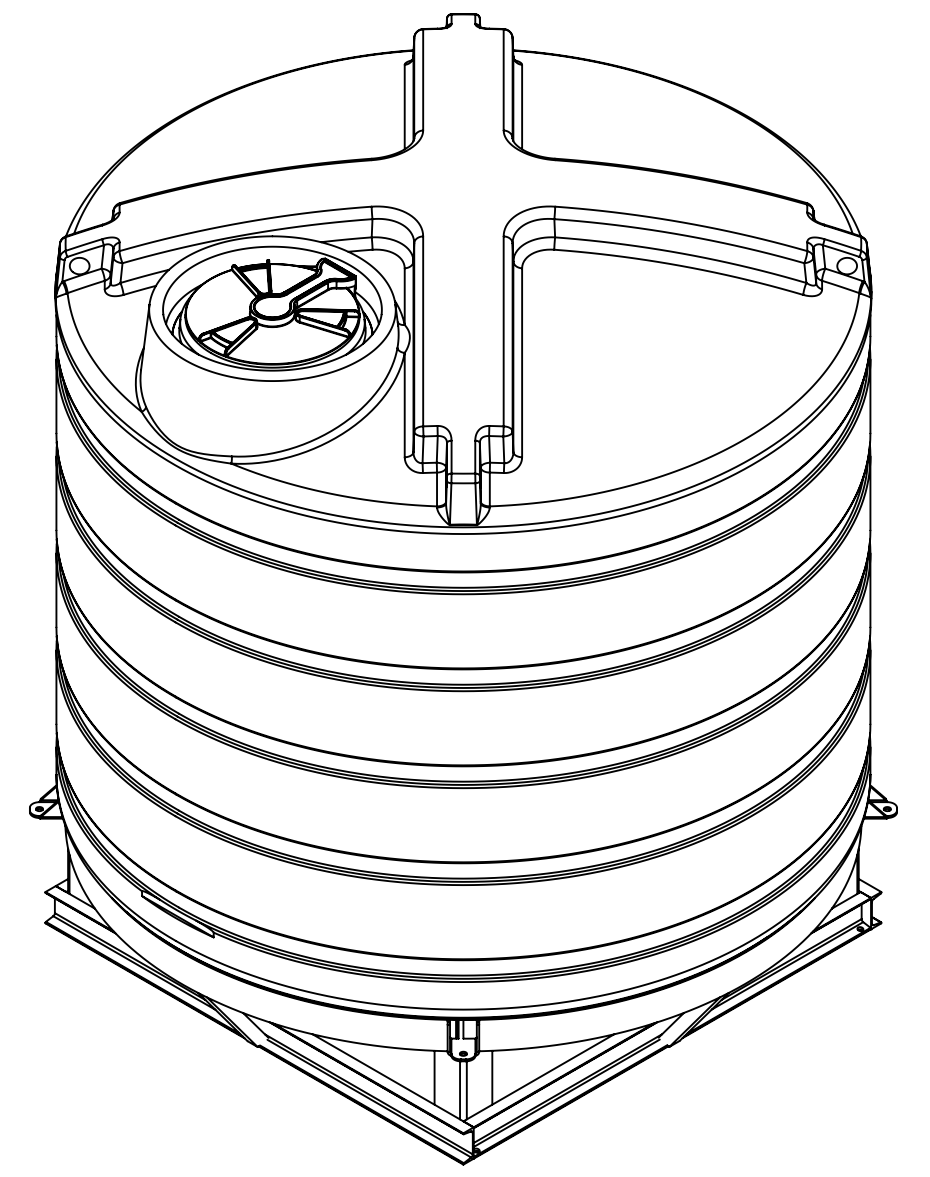


8



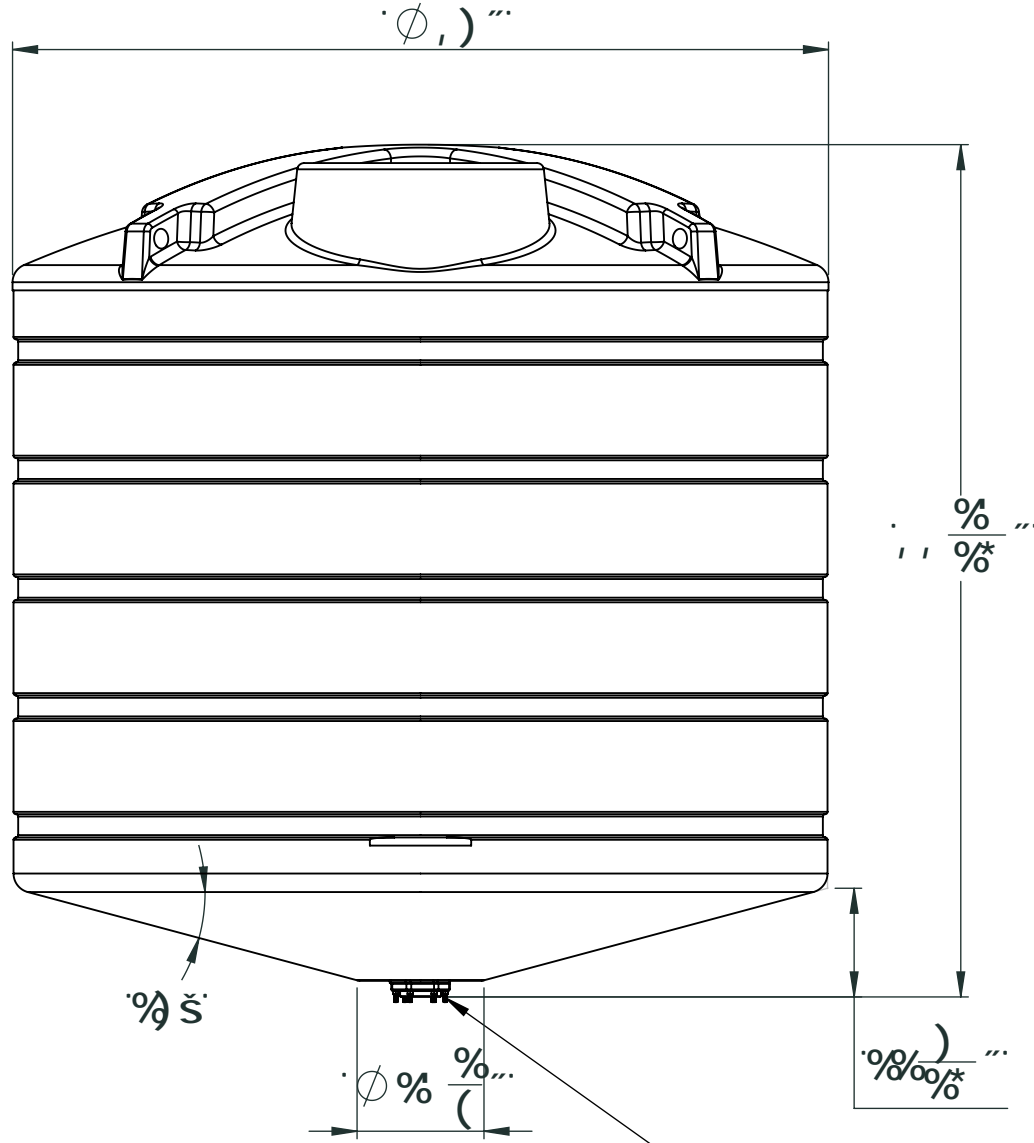
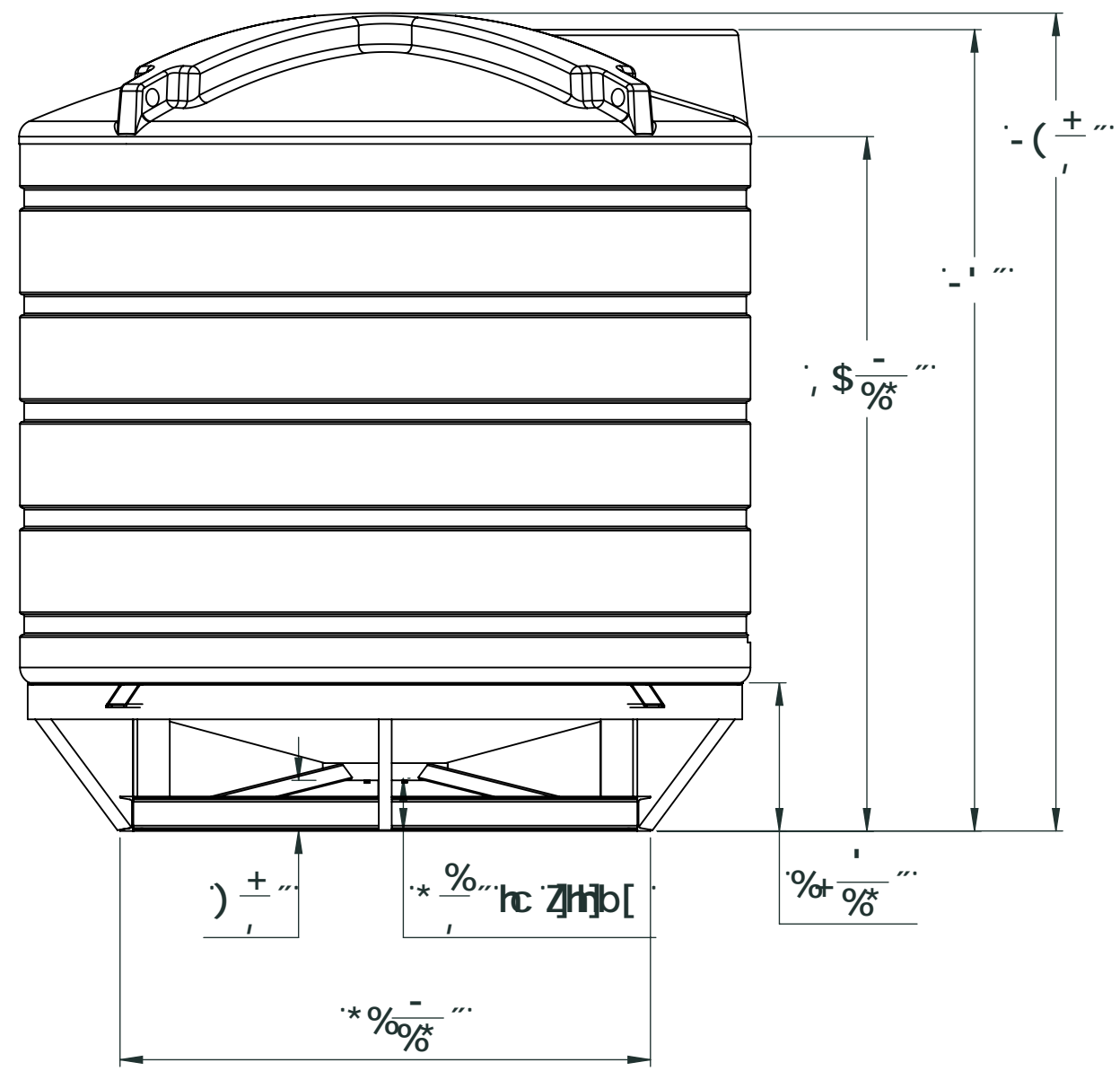
8



7

7

Gck b k Jh 5N 7 \$%)) \$@ dgUbx



6

6

' j bWx Vc HYX ! Vchca Xfu] b Zh] b[

5

5

DFC DF 45FM5B8 7 CB: 69B15
 H: 9 B: C FA 5HC B 7 C B15 B 98 B 14 G
 B F5 K B: 6 H: 9 GC 49 DFC D9 HMC:
 98 B1 F5 D16 G 5 B M F 9 D F C 81 7 H C B
 B 15 F H C T 5 G S K < C 49 K 4 C 1 H R 9
 K F H 5 B D F A 4 2 C B C: 98 B1 F5 D16 G
 6 D F C < 4 H 9 8 *

		1 B 49 GC H: 9 K 49 D 9 7 4 9 B:	B 5 A 9	8 5 H 9	98 B1 F5 D16 G @
		8 A 9 B GC B G 5 F 9 B: 8 7 < 9 G	8 F 5 K B	8 B G	H H 4 9
		H C 49 F 5 B 7 9 G			
		F 5 7 H C B 5 @	7 < 9 7 2 9 8		
		5 B: 1 4 5 F A 5 7 < 1 6 9 8 8 ±	9 B: 5 0 D F *		
		H K C D 4 5 7 9 8 9 7 A 5 @ ±	A :: 5 0 D F *		
		H F 9 9 D 4 5 7 9 8 9 7 A 5 @ ±	E * 5 "		
		B 1 9 F D F 9 H: 9 C A 9 F 7	7 C A A 9 B H G		
		H C 49 F 5 B 7 B: D 9 F			
		A 5 1 9 F 5 @			
B 9 L H 5 G M	1 G 9 8 C B	B G:			G 4 9
					8 K : " BC "
					F 9 J
					7
					G 7 5 @ 9 %) 1 6 9 ± < H "
					G < 9 9 H % C : %