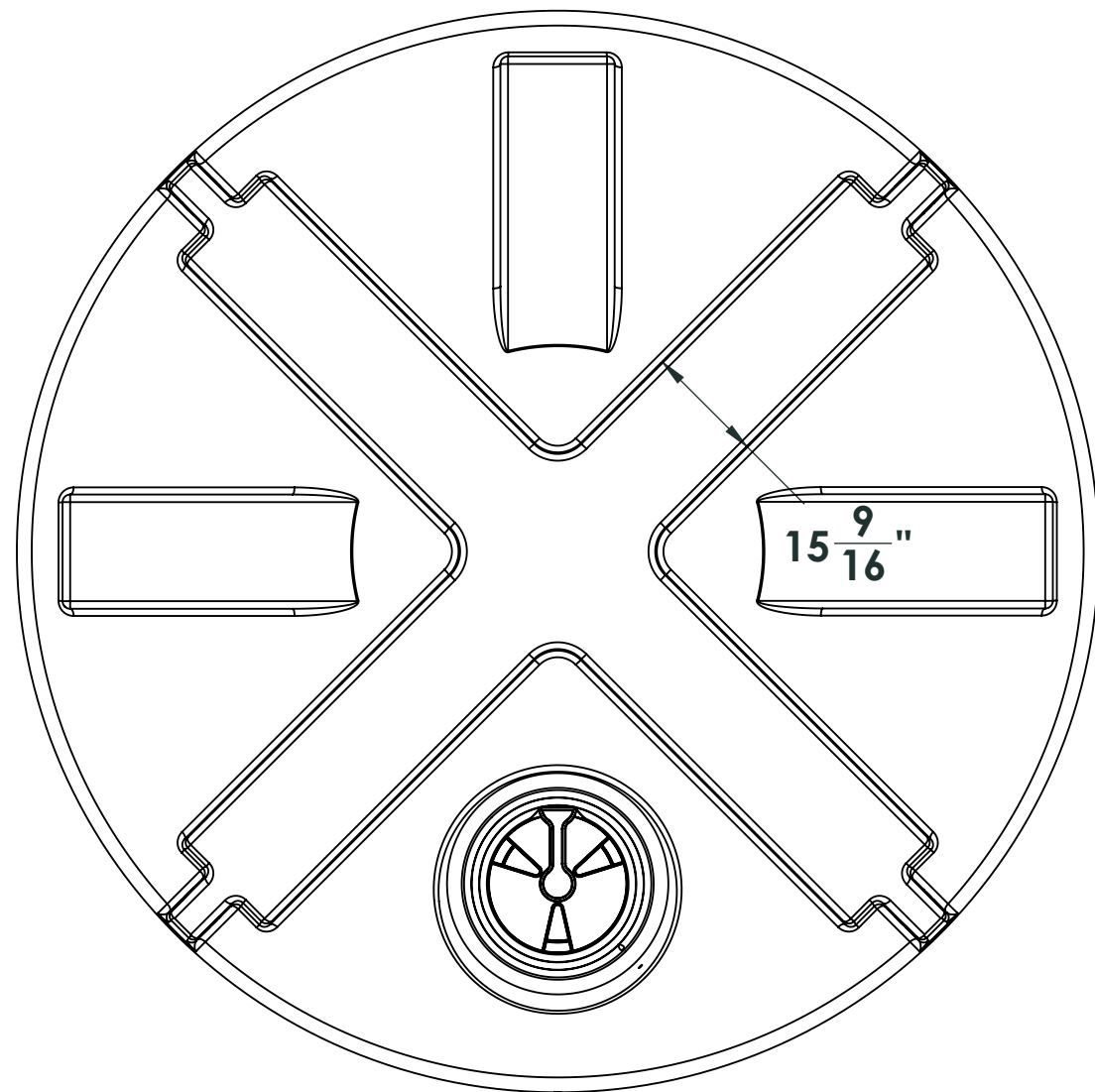


4

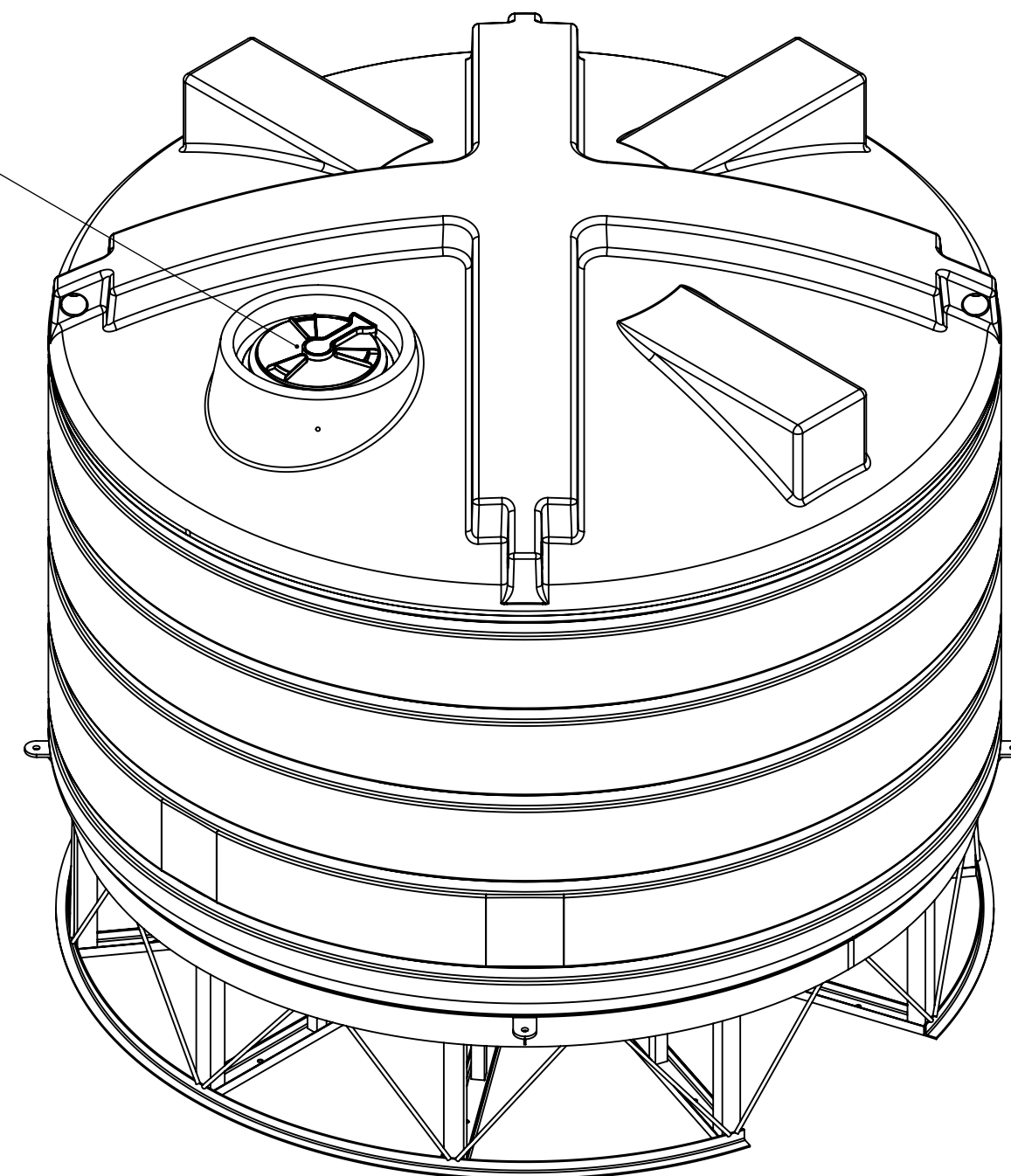
3

2

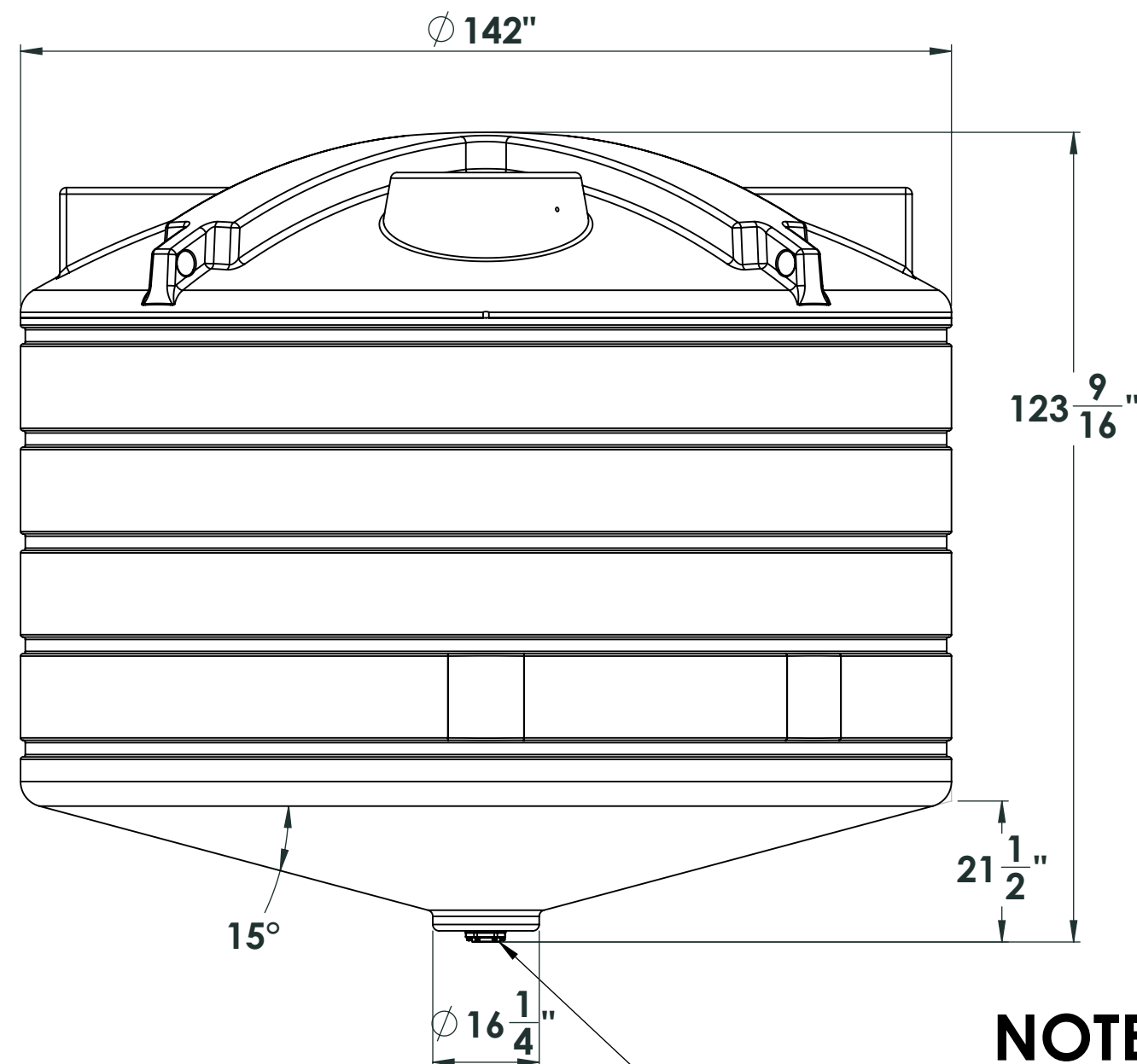
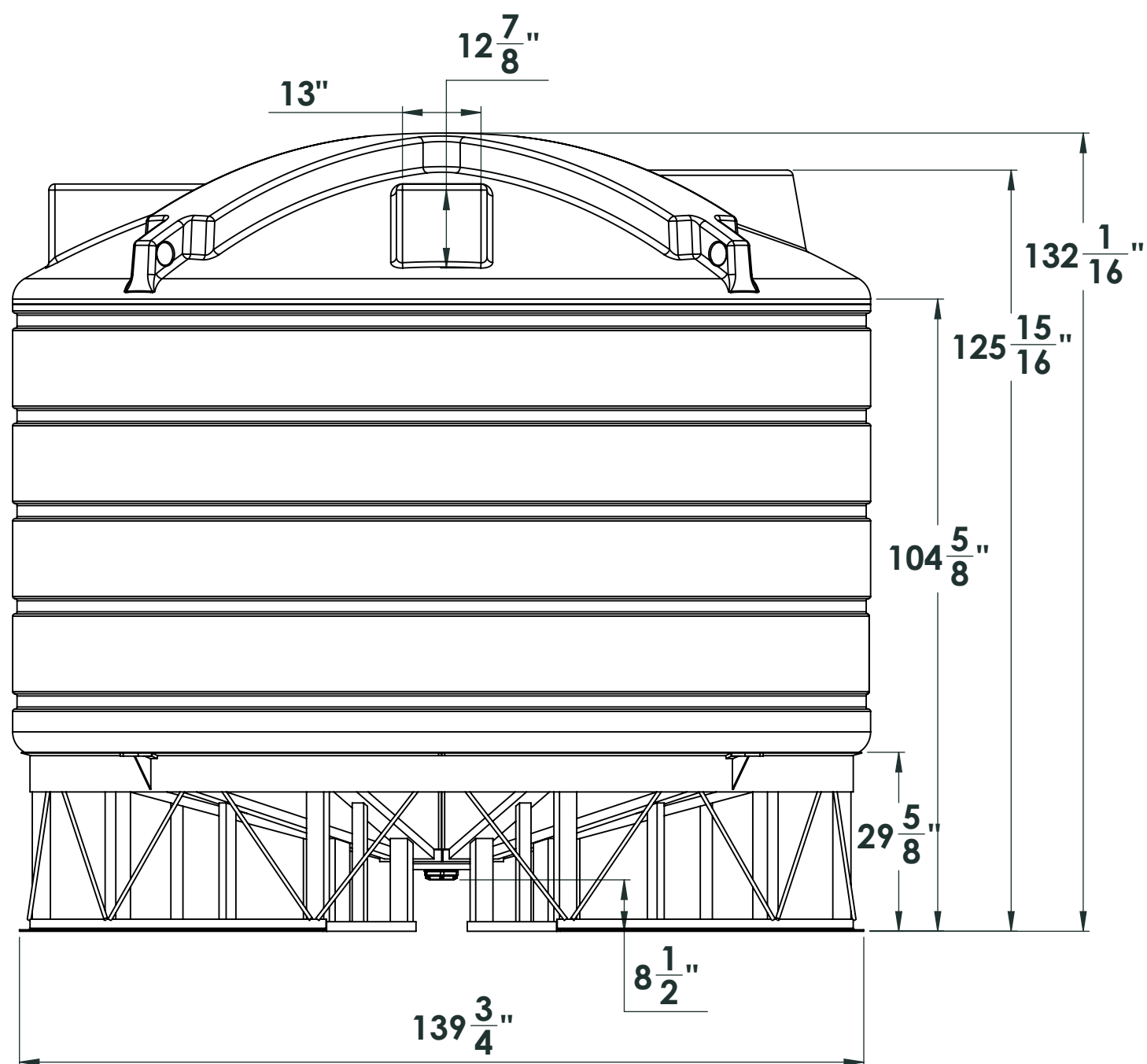
1



16 inch lid



Shown with AZFC06011 stand



3 inch bolted - bottom drain fitting

NOTE: Allow +/- 1.5% Shrinkage

PROPRIETARY AND CONFIDENTIAL
 THE INFORMATION CONTAINED IN THIS DRAWING IS THE SOLE PROPERTY OF ENDURAPLAS LLC. ANY REPRODUCTION IN PART OR AS A WHOLE WITHOUT THE WRITTEN PERMISSION OF ENDURAPLAS LLC IS PROHIBITED.

UNLESS OTHERWISE SPECIFIED:		NAME	DATE	ENDURAPLAS LLC
DIMENSIONS ARE IN INCHES		DRAWN	DNS	
TOLERANCES:		CHECKED		TITLE:
FRACTIONAL ±		ENG APPR.		THC06011
ANGULAR: MACH ± BEND ±		MFG APPR.		SIZE DWG. NO.
TWO PLACE DECIMAL ±		Q.A.		REV
THREE PLACE DECIMAL ±		COMMENTS:		1
INTERPRET GEOMETRIC TOLERANCING PER:	MATERIAL			SCALE: 1:50 WEIGHT:
FINISH	APPLICATION			SHEET 1 OF 1

4

3

2

1