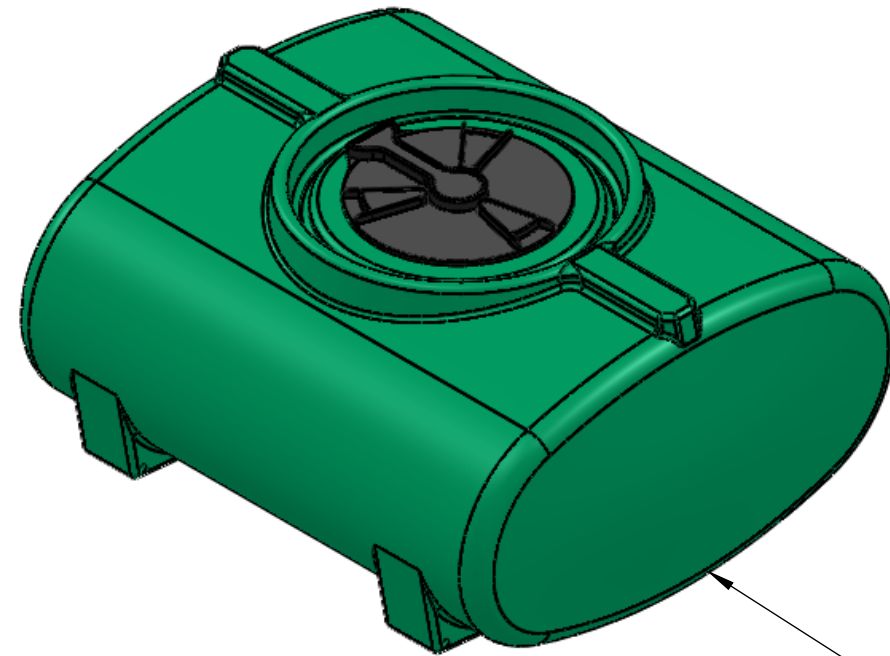
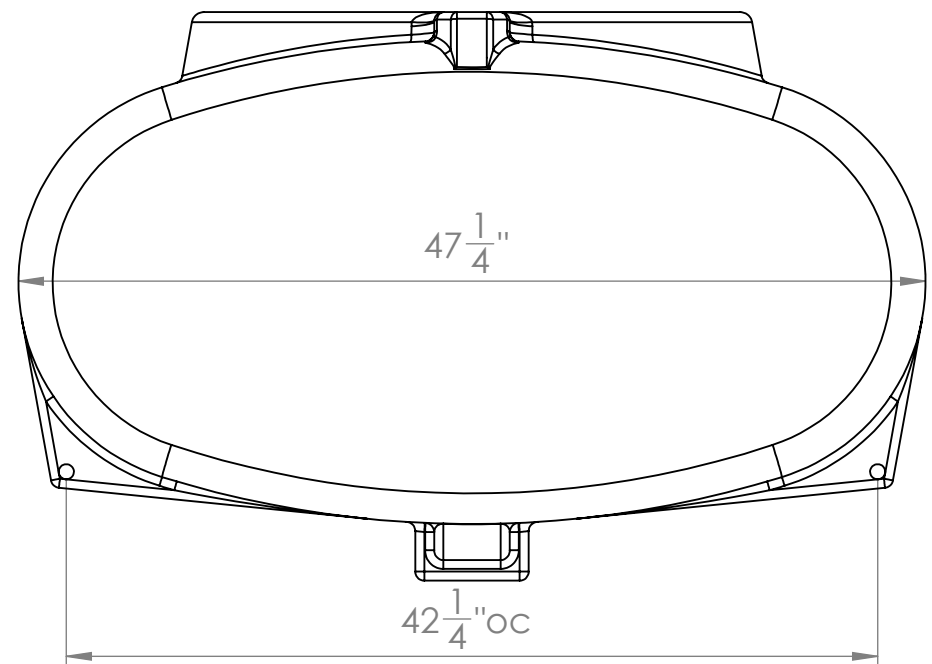


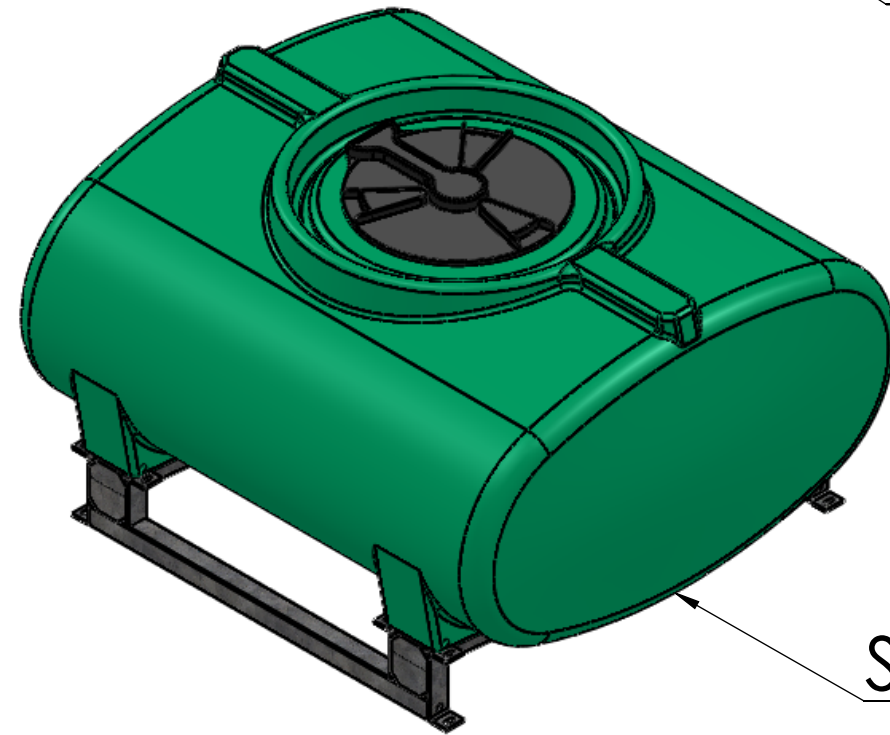
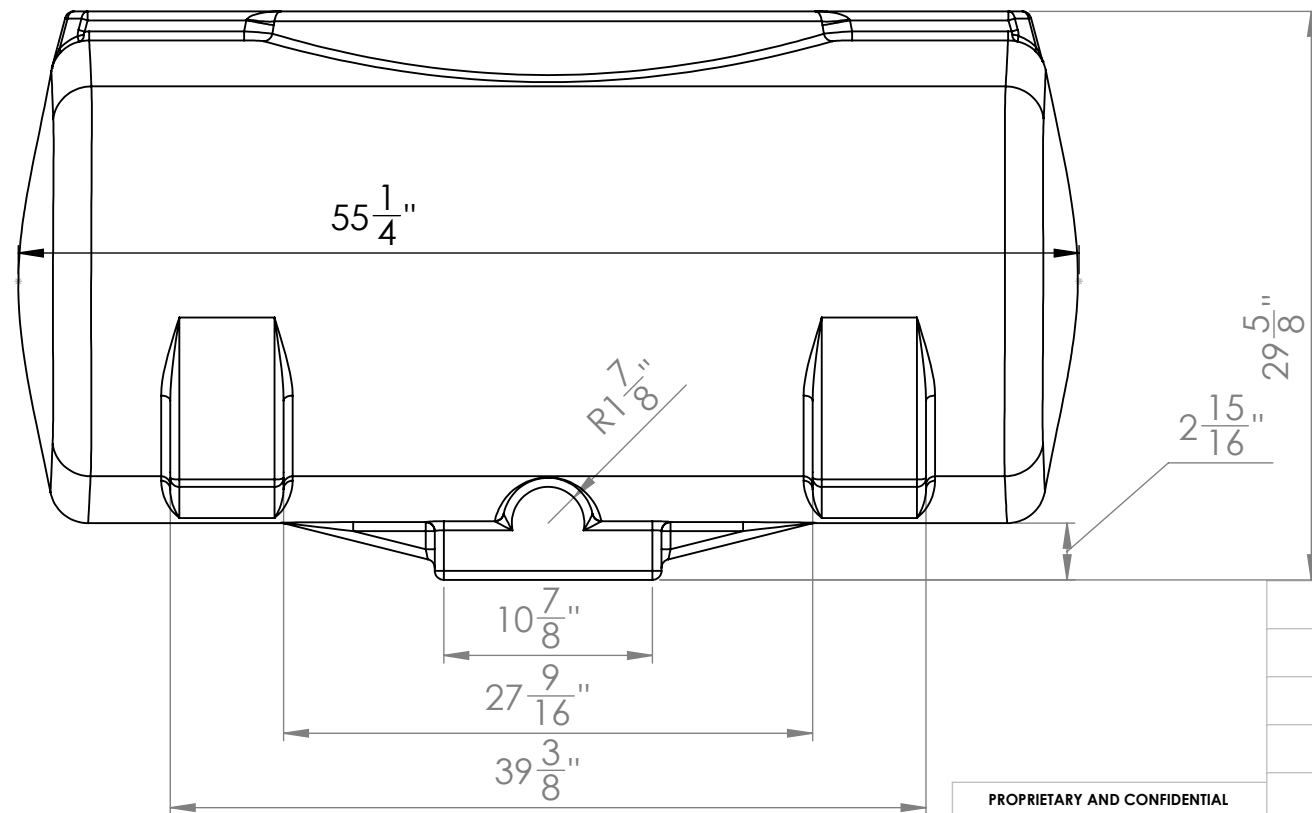
8 7 6 5 4 3 2 1

D
C
B
A

D
C
B
A



ST200LP



ST200LS

PROPRIETARY AND CONFIDENTIAL
 THE INFORMATION CONTAINED IN THIS DRAWING IS THE SOLE PROPERTY OF Agrimaxx, Enduraplas. ANY REPRODUCTION IN PART OR AS A WHOLE WITHOUT THE WRITTEN PERMISSION OF Agrimaxx, Enduraplas, IS PROHIBITED.

		UNLESS OTHERWISE SPECIFIED:		NAME		DATE		<h1>Enduraplas</h1>	
		DIMENSIONS ARE IN INCHES		DRAWN		DNS			
		TOLERANCES:		CHECKED				TITLE: <h2>ST200LP</h2>	
		FRACTIONAL ±		ENG APPR.					
		ANGULAR: MACH ± BEND ±		MFG APPR.					
		TWO PLACE DECIMAL ±		Q.A.				SIZE DWG. NO. REV B	
		THREE PLACE DECIMAL ±		COMMENTS:				SCALE: 1:20 WEIGHT: SHEET 1 OF 1	
		INTERPRET GEOMETRIC TOLERANCING PER:							
		MATERIAL							
		FINISH							
NEXT ASSY		USED ON							
APPLICATION		DO NOT SCALE DRAWING							

8 7 6 5 4 3 2 1