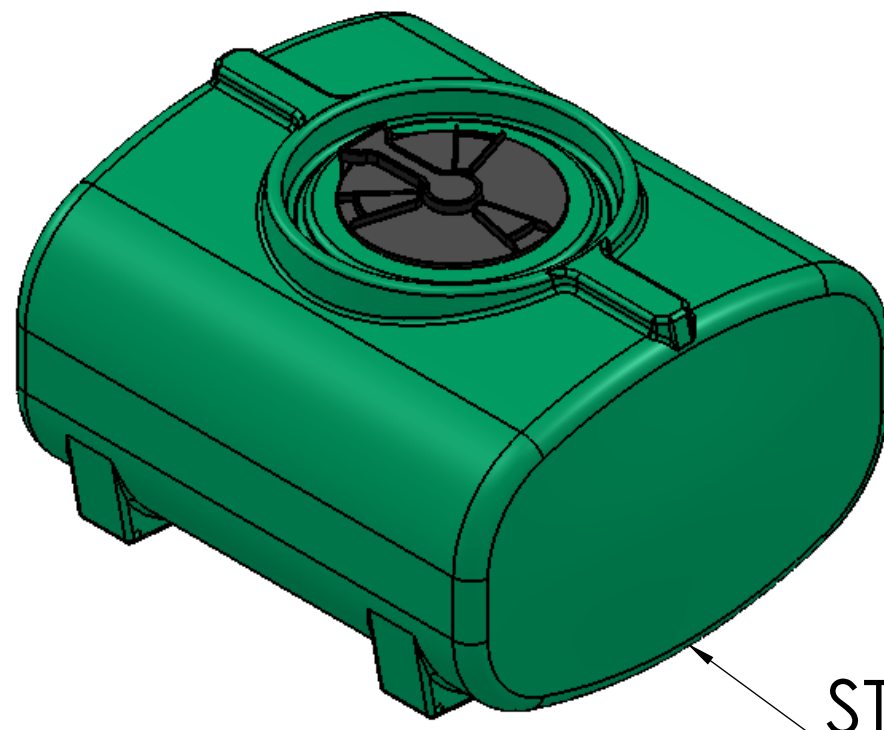
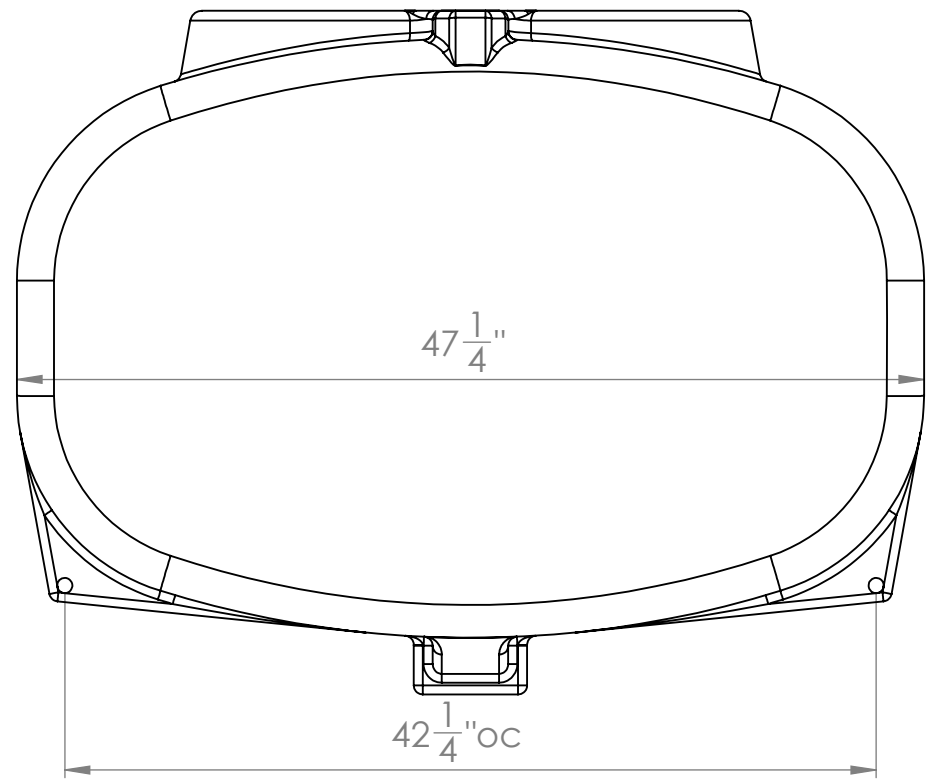


8 7 6 5 4 3 2 1

D

D



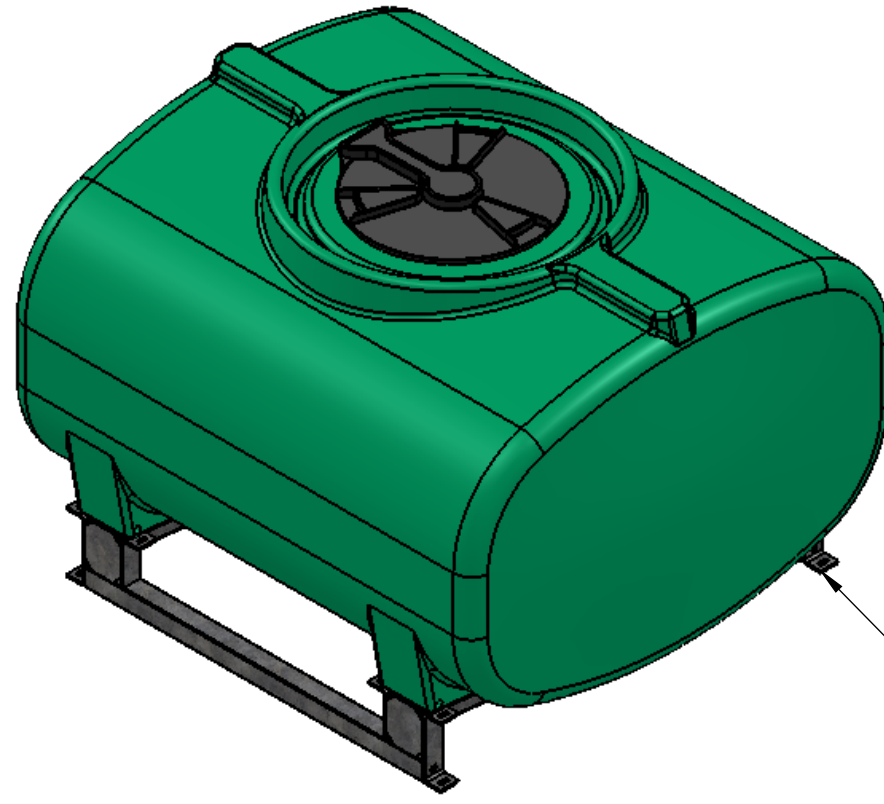
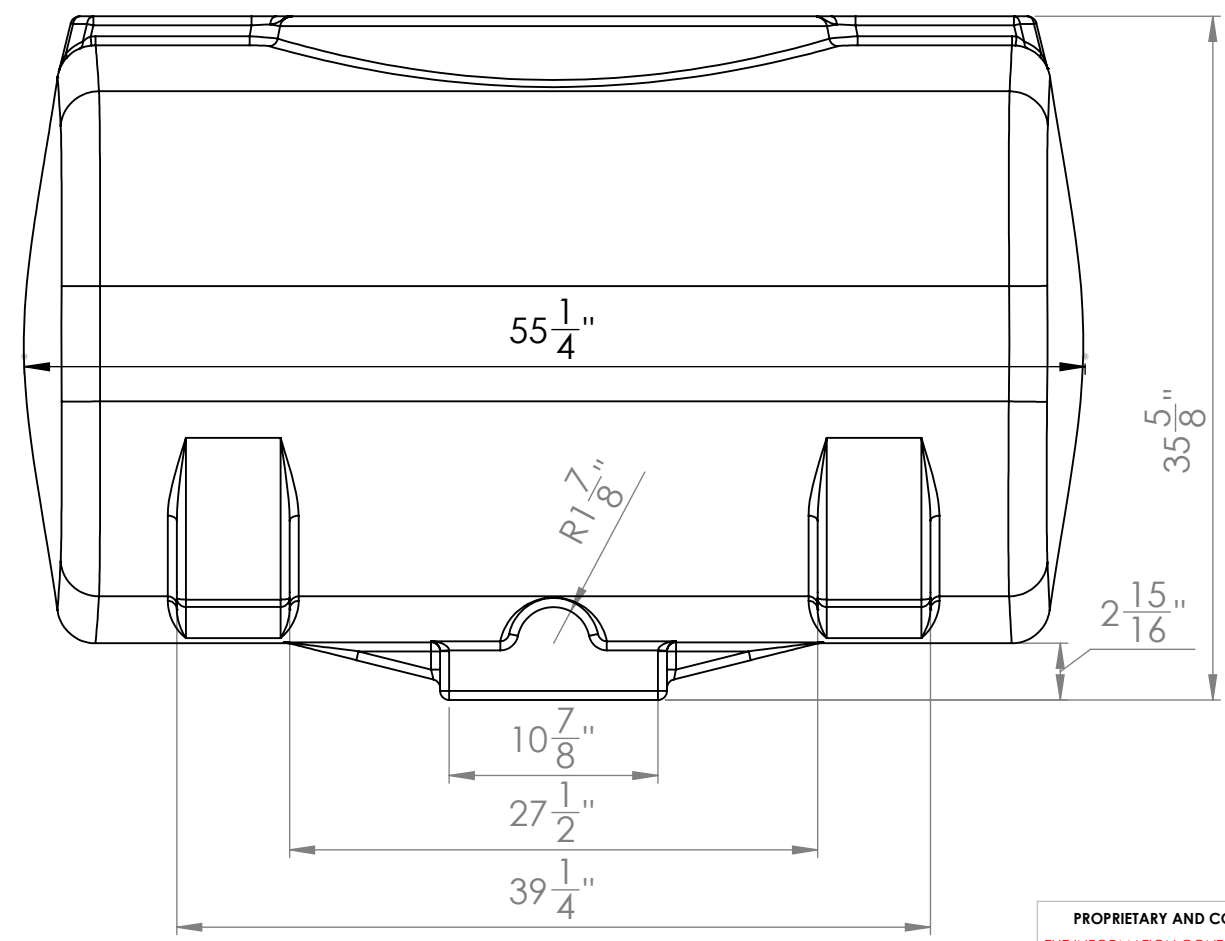
ST250LP

C

C

B

B



ST250LS

A

A

8 7 6 5 4 3 2 1

PROPRIETARY AND CONFIDENTIAL
 THE INFORMATION CONTAINED IN THIS DRAWING IS THE SOLE PROPERTY OF Agrimaxx, Enduraplas. ANY REPRODUCTION IN PART OR AS A WHOLE WITHOUT THE WRITTEN PERMISSION OF Agrimaxx, Enduraplas, IS PROHIBITED.

| | | | | | | | |
|-------------|---------|--------------------------------------|--|-----------|------|-------------------|----------------|
| | | UNLESS OTHERWISE SPECIFIED: | | NAME | DATE | Enduraplas | |
| | | DIMENSIONS ARE IN INCHES | | DRAWN | DNS | | |
| | | TOLERANCES: | | CHECKED | | | TITLE: |
| | | FRACTIONAL ± | | ENG APPR. | | | ST250LP |
| | | ANGULAR: MACH ± BEND ± | | MFG APPR. | | | SIZE |
| | | TWO PLACE DECIMAL ± | | Q.A. | | | DWG. NO. |
| | | THREE PLACE DECIMAL ± | | COMMENTS: | | | REV |
| | | INTERPRET GEOMETRIC TOLERANCING PER: | | | | | 1 |
| | | MATERIAL | | | | | SCALE: 1:20 |
| NEXT ASSY | USED ON | FINISH | | | | | WEIGHT: |
| APPLICATION | | DO NOT SCALE DRAWING | | | | | SHEET 1 OF 1 |