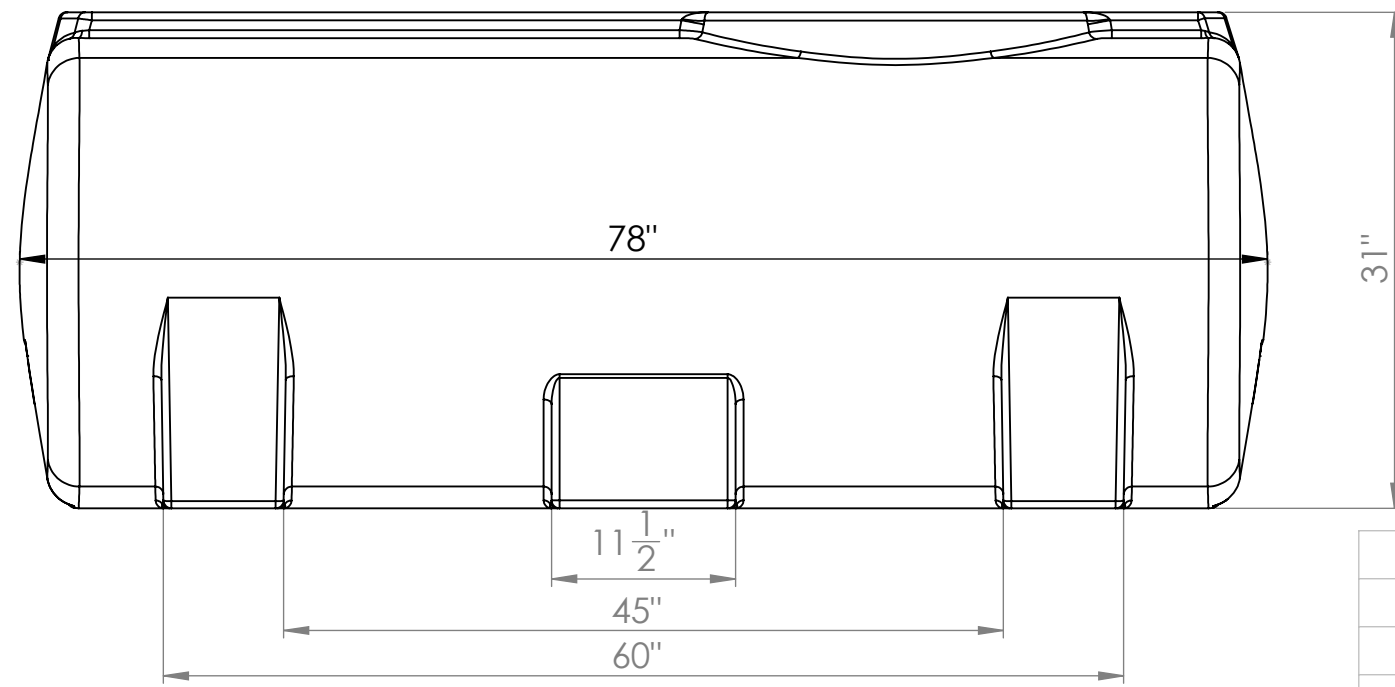
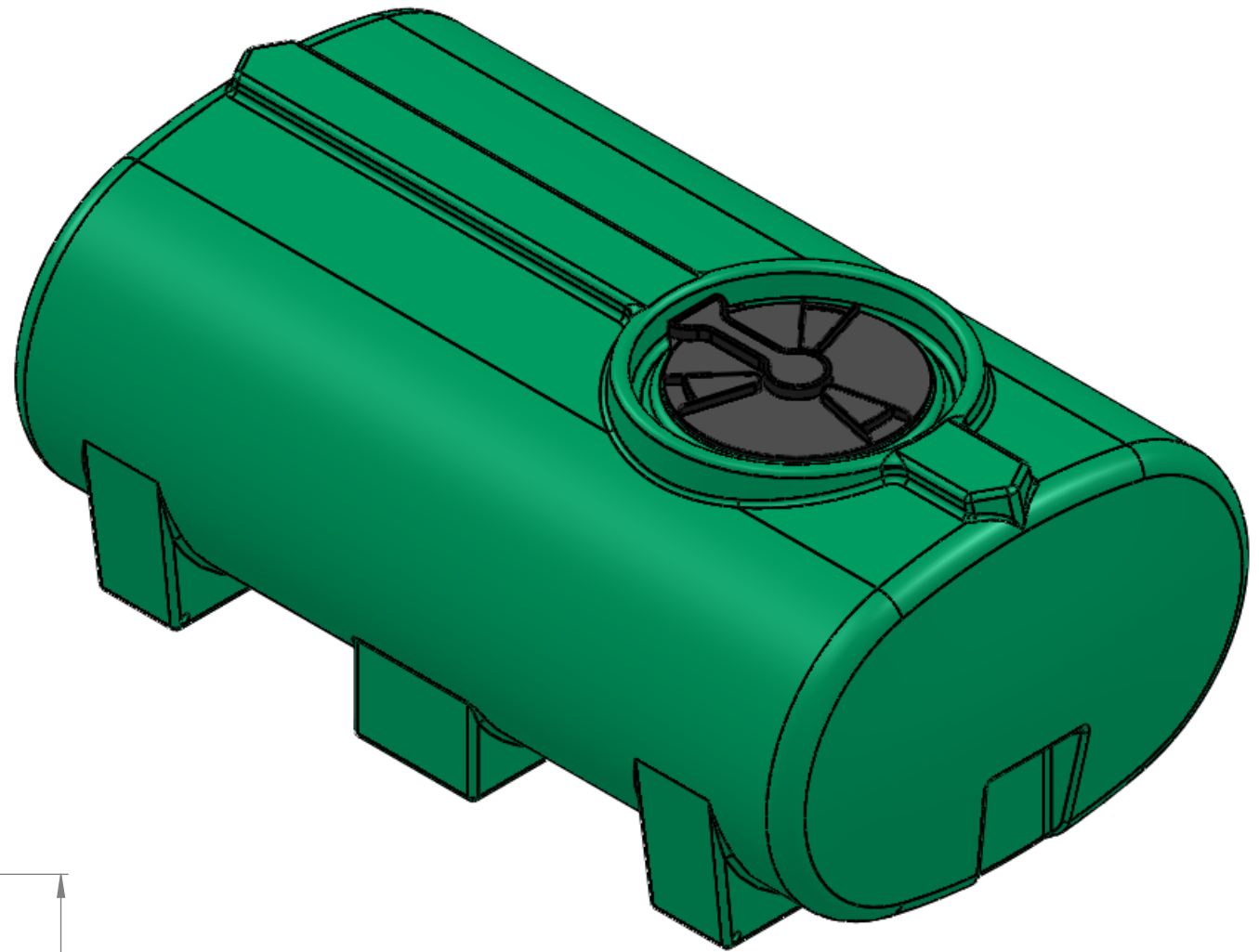
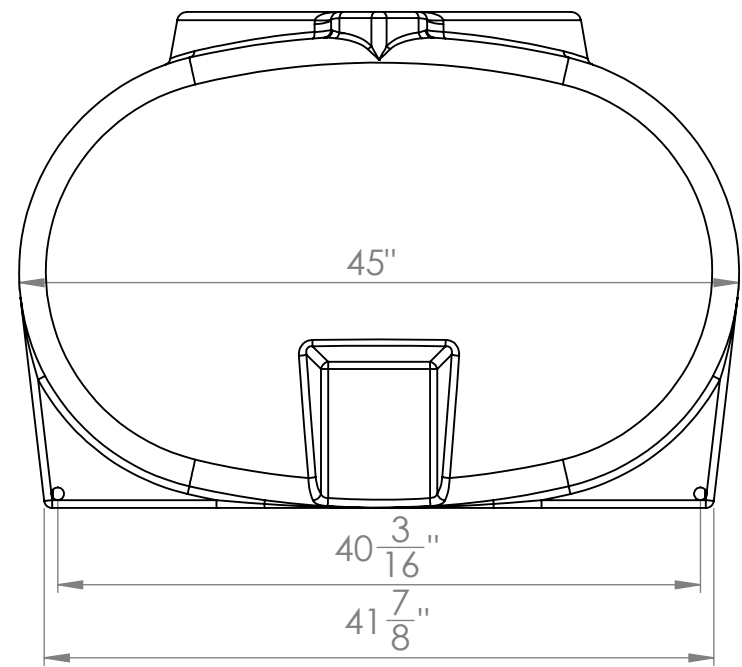


8 7 6 5 4 3 2 1

D
C
B
A

D
C
B
A



PROPRIETARY AND CONFIDENTIAL
 THE INFORMATION CONTAINED IN THIS DRAWING IS THE SOLE PROPERTY OF Agrimaxx, Enduraplas. ANY REPRODUCTION IN PART OR AS A WHOLE WITHOUT THE WRITTEN PERMISSION OF Agrimaxx, Enduraplas, IS PROHIBITED.

| | | | | | | | | | |
|-------------|---------|--------------------------------------|--|-----------|--|--------------|--|-------------------|--|
| | | UNLESS OTHERWISE SPECIFIED: | | | | NAME | | DATE | |
| | | DIMENSIONS ARE IN INCHES | | DRAWN | | DNS | | 9/9/11 | |
| | | TOLERANCES: | | CHECKED | | | | | |
| | | FRACTIONAL ± | | ENG APPR. | | | | | |
| | | ANGULAR: MACH ± BEND ± | | MFG APPR. | | | | | |
| | | TWO PLACE DECIMAL ± | | Q.A. | | | | | |
| | | THREE PLACE DECIMAL ± | | COMMENTS: | | | | | |
| | | INTERPRET GEOMETRIC TOLERANCING PER: | | | | | | | |
| | | MATERIAL | | | | | | | |
| | | FINISH | | | | | | | |
| NEXT ASSY | USED ON | | | | | | | | |
| APPLICATION | | DO NOT SCALE DRAWING | | | | | | | |
| | | | | | | | | Enduraplas | |
| | | | | | | | | TITLE: | |
| | | | | | | | | ST300FS | |
| SIZE | | DWG. NO. | | | | REV | | | |
| B | | | | | | 1 | | | |
| SCALE: 1:20 | | | | WEIGHT: | | SHEET 1 OF 1 | | | |

8 7 6 5 4 3 2 1