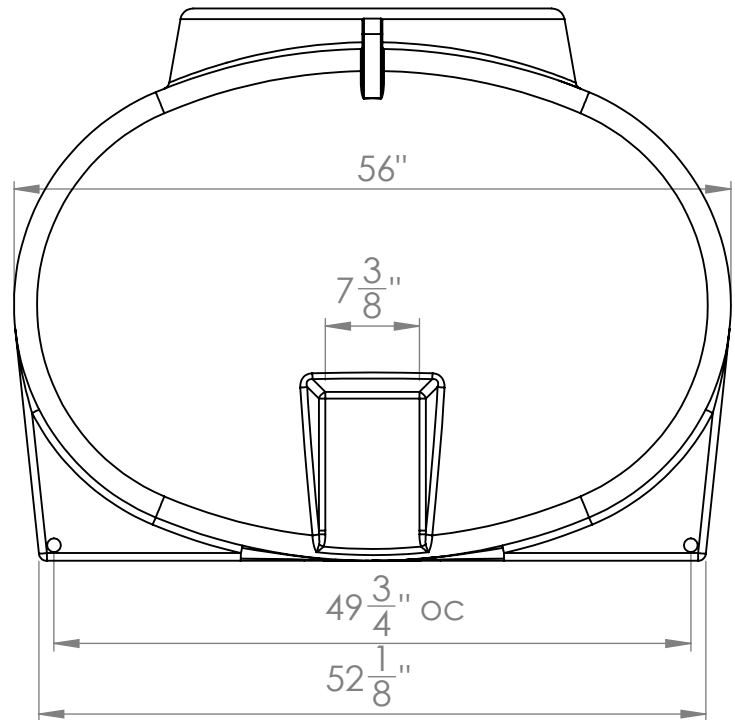


8 7 6 5 4 3 2 1

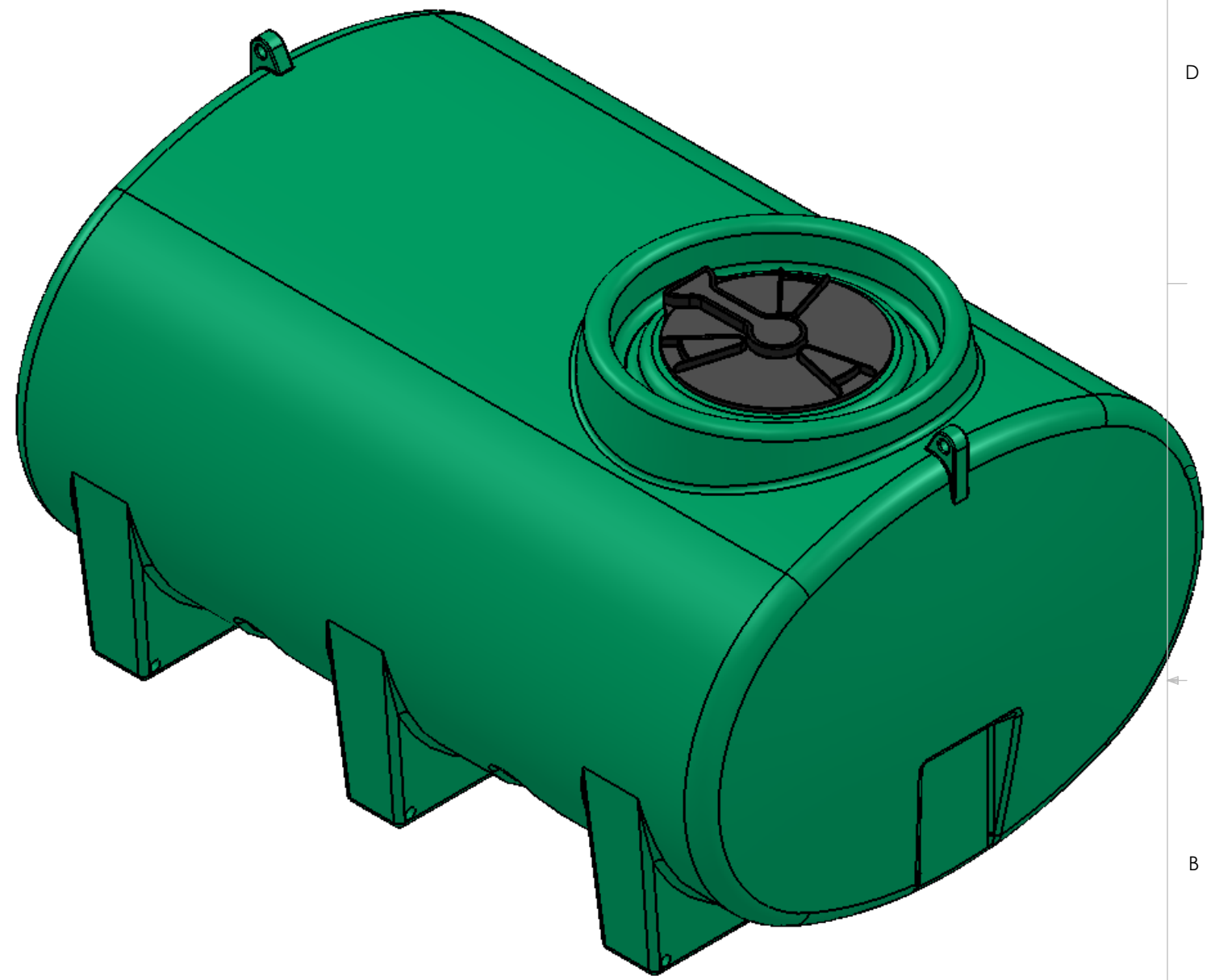
D

D



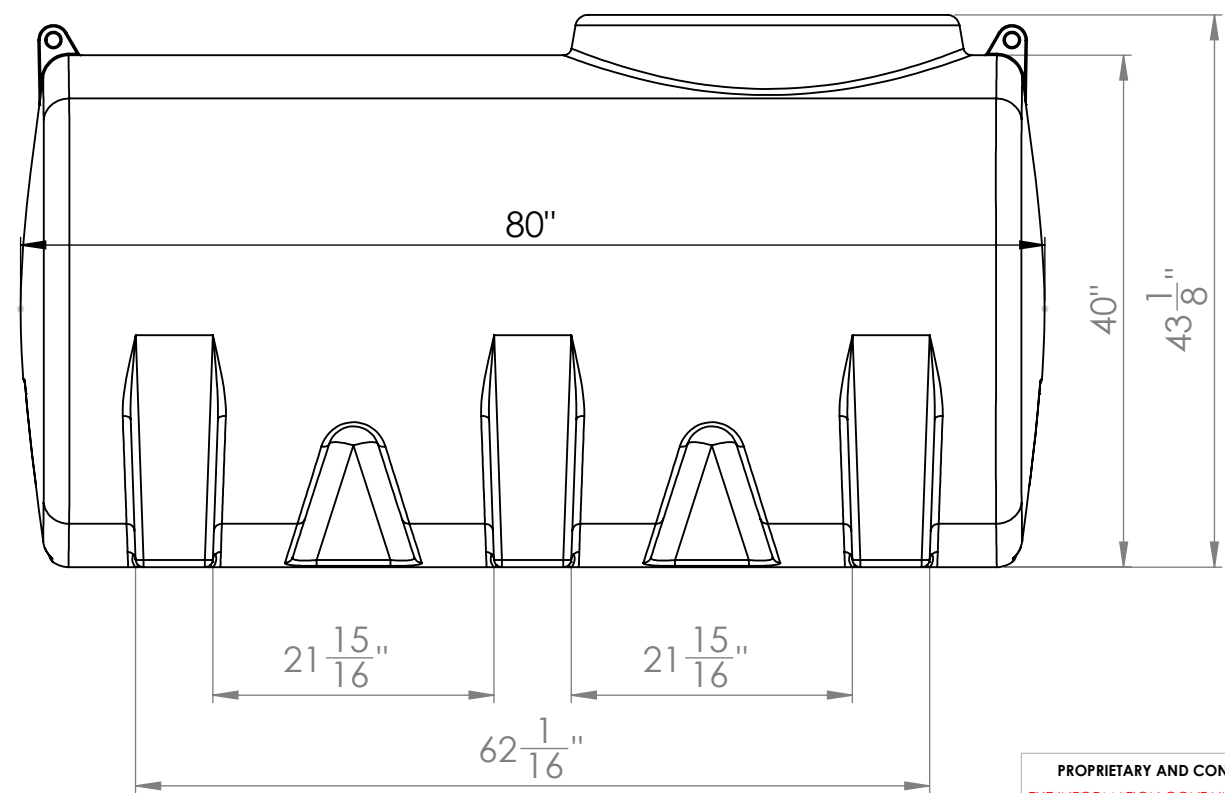
C

C



B

B



A

A

PROPRIETARY AND CONFIDENTIAL
 THE INFORMATION CONTAINED IN THIS DRAWING IS THE SOLE PROPERTY OF Agrimaxx, Enduraplas. ANY REPRODUCTION IN PART OR AS A WHOLE WITHOUT THE WRITTEN PERMISSION OF Agrimaxx, Enduraplas, IS PROHIBITED.

		UNLESS OTHERWISE SPECIFIED:		NAME	DATE	Enduraplas	
		DIMENSIONS ARE IN INCHES TOLERANCES: FRACTIONAL ± ANGULAR: MACH ± BEND ± TWO PLACE DECIMAL ± THREE PLACE DECIMAL ±		DRAWN	DNS		
		INTERPRET GEOMETRIC TOLERANCING PER:		ENG APPR.			TITLE: ST500FS
		MATERIAL		MFG APPR.			
NEXT ASSY		USED ON		Q.A.			SIZE DWG. NO. REV
APPLICATION		DO NOT SCALE DRAWING		COMMENTS:			B 1
							SCALE: 1:20 WEIGHT: SHEET 1 OF 1

8 7 6 5 4 3 2 1