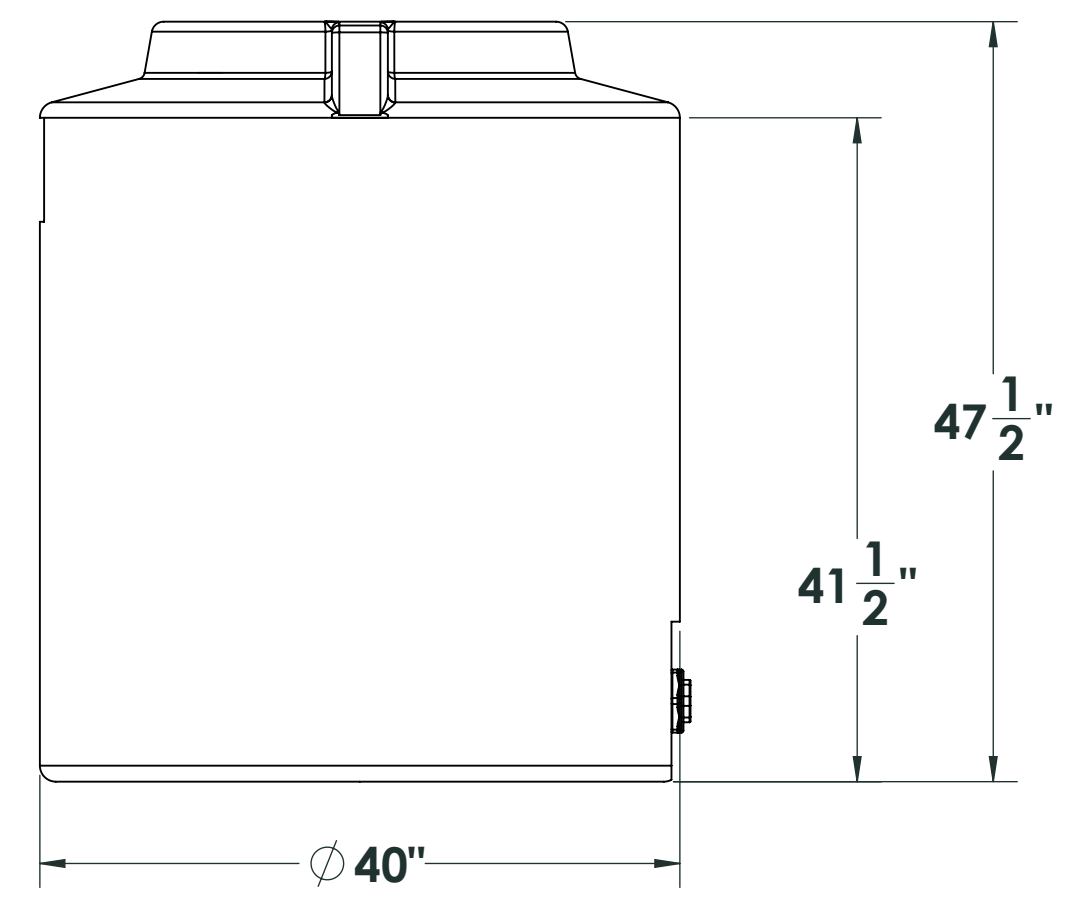
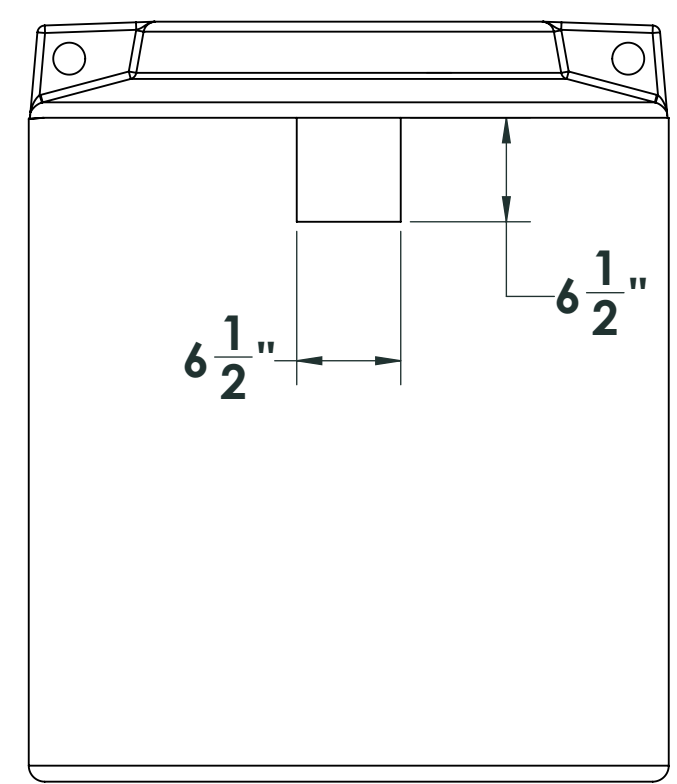
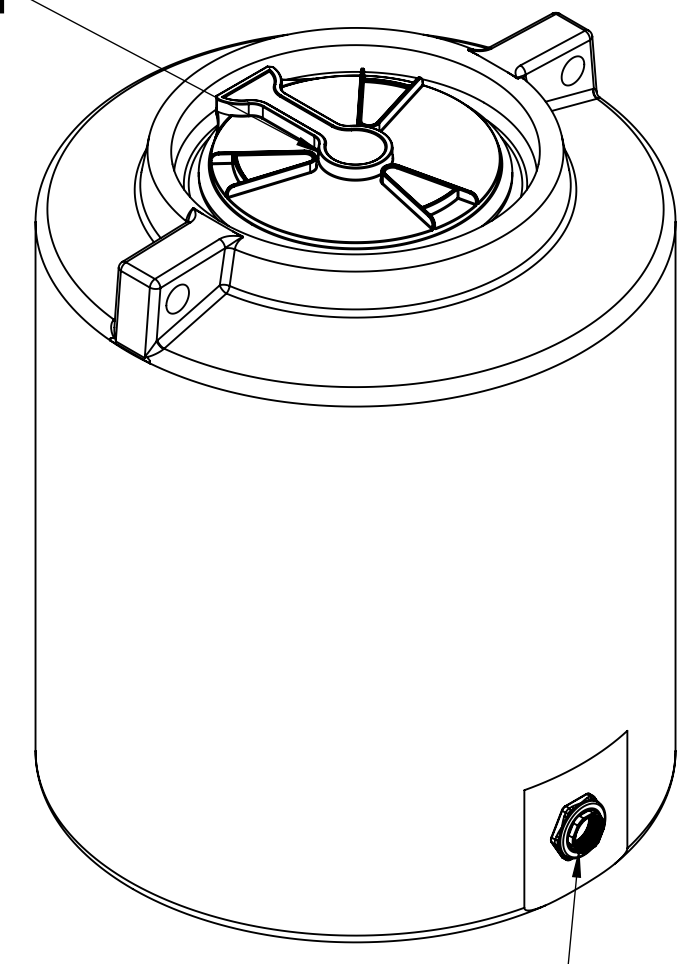
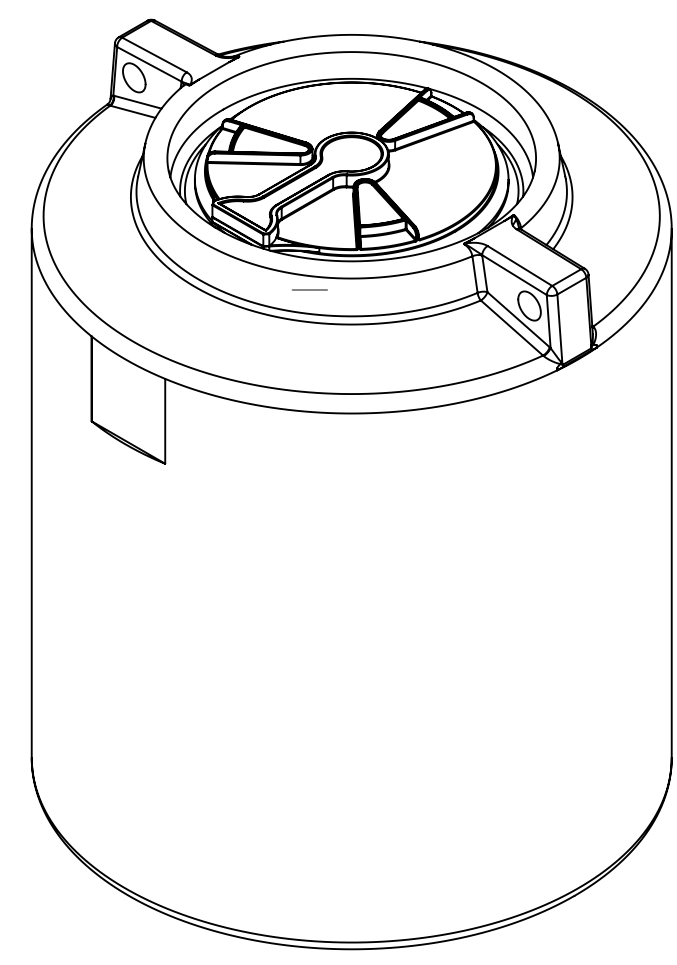
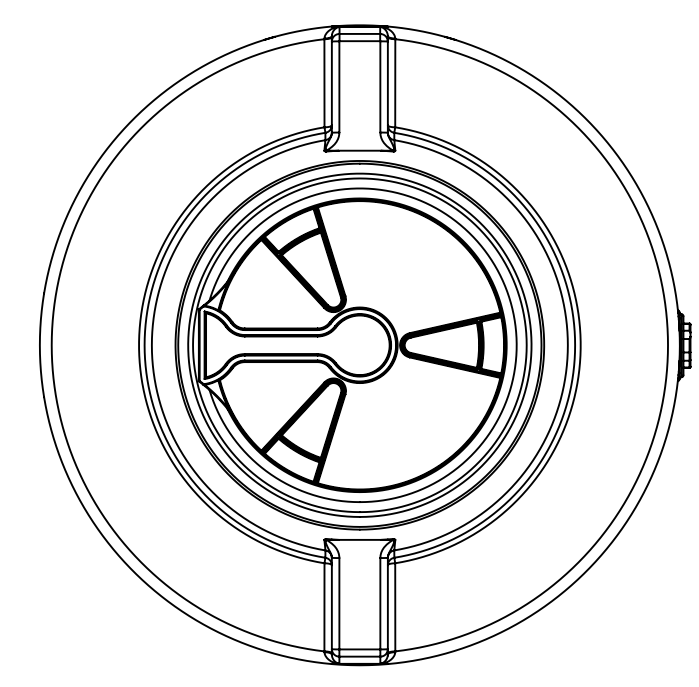


16 inch lid

2 inch threaded fitting



NOTE: Allow +/- 1.5% Shrinkage

PROPRIETARY AND CONFIDENTIAL
 THE INFORMATION CONTAINED IN THIS DRAWING IS THE SOLE PROPERTY OF ENDURAPLAS LLC. ANY REPRODUCTION IN PART OR AS A WHOLE WITHOUT THE WRITTEN PERMISSION OF ENDURAPLAS LLC IS PROHIBITED.

		UNLESS OTHERWISE SPECIFIED:	NAME	DATE	ENDURAPLAS LLC	
		DIMENSIONS ARE IN INCHES	DRAWN	DNS	10/31/16	TITLE:
		TOLERANCES:	CHECKED			THV00210
		FRACTIONAL ±	ENG APPR.			SIZE DWG. NO.
		ANGULAR: MACH ± BEND ±	MFG APPR.			C
		TWO PLACE DECIMAL ±	Q.A.			REV
		THREE PLACE DECIMAL ±	COMMENTS:			1
NEXT ASSY	USED ON	FINISH				
APPLICATION	DO NOT SCALE DRAWING		SCALE: 1:16 WEIGHT: SHEET 1 OF 1			