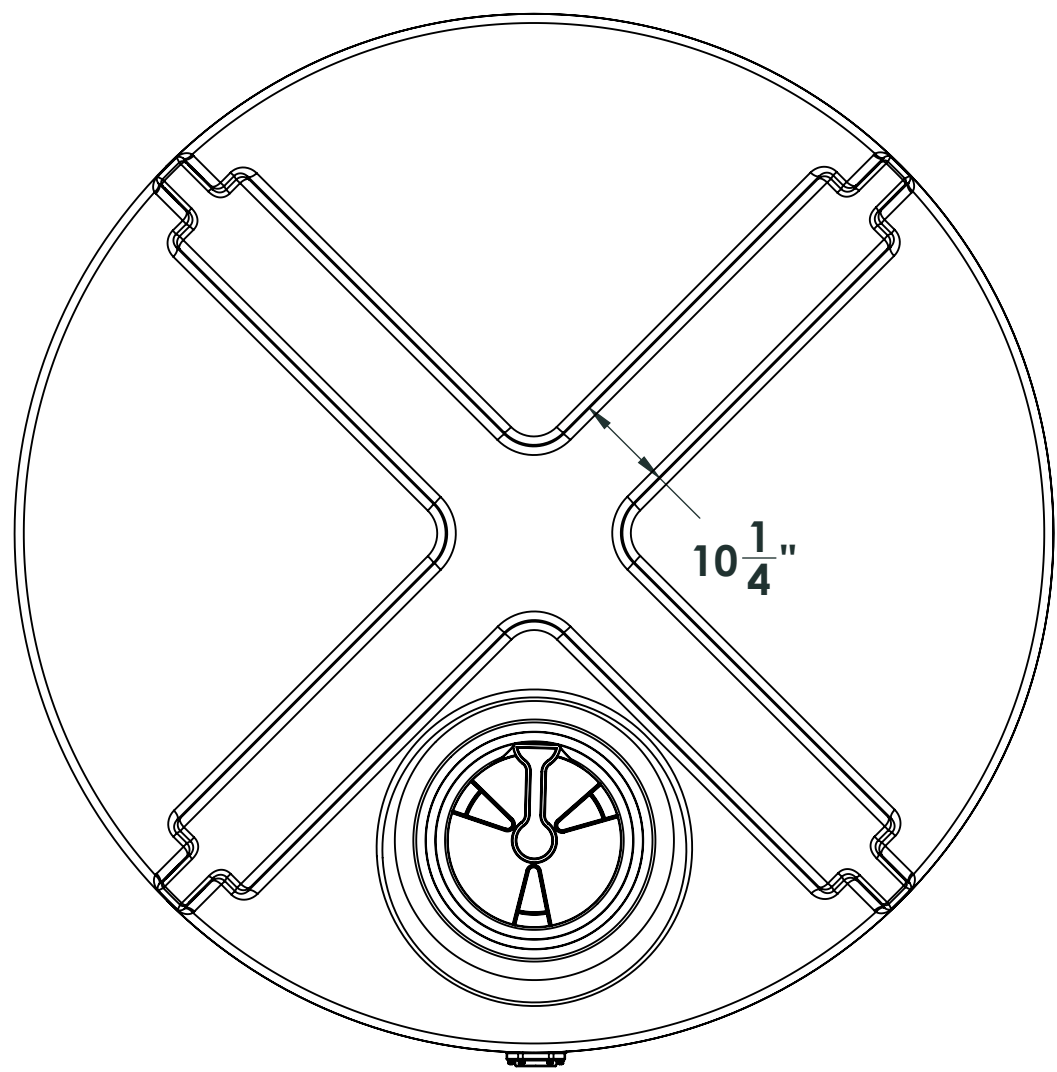


4

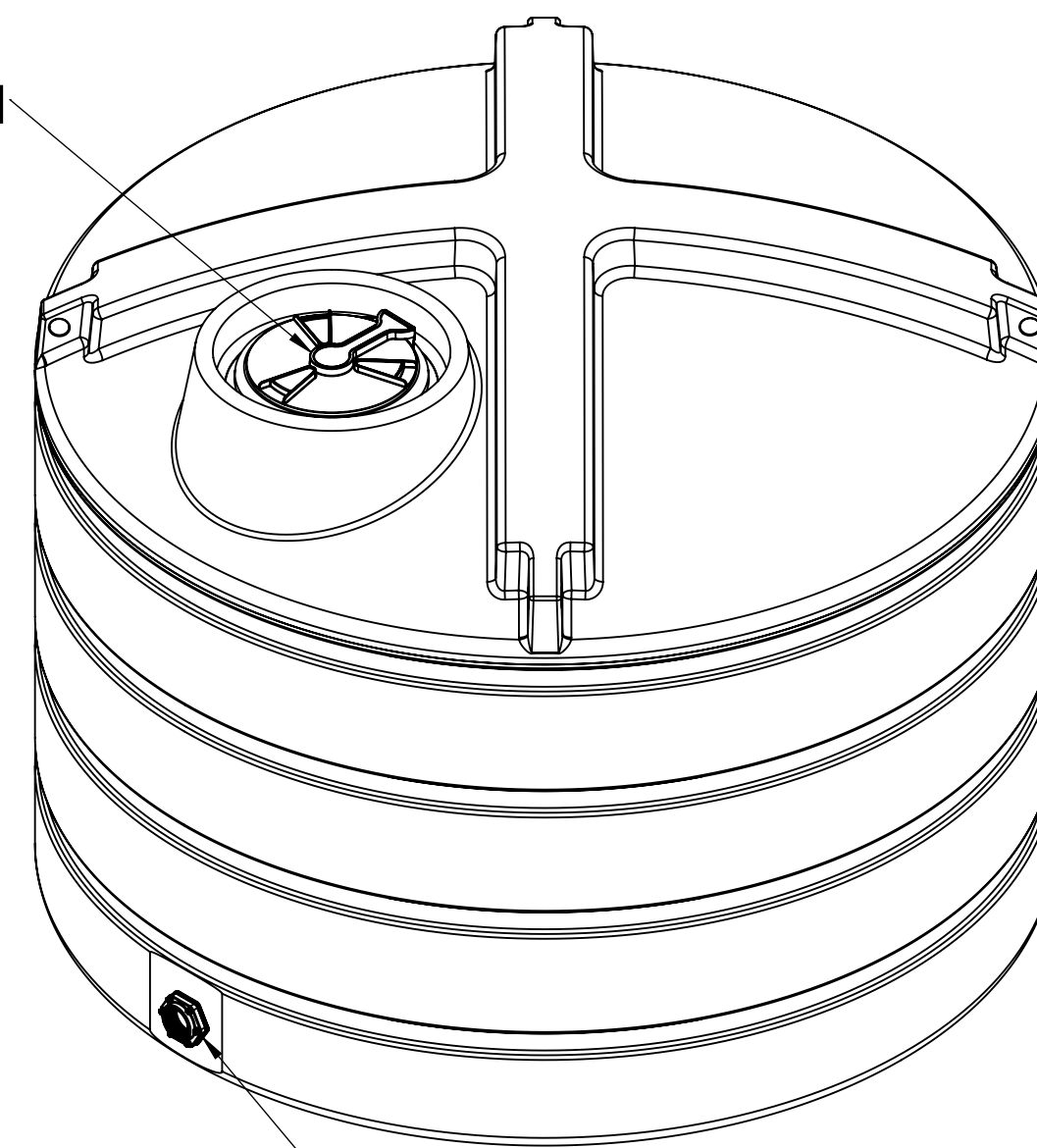
3

2

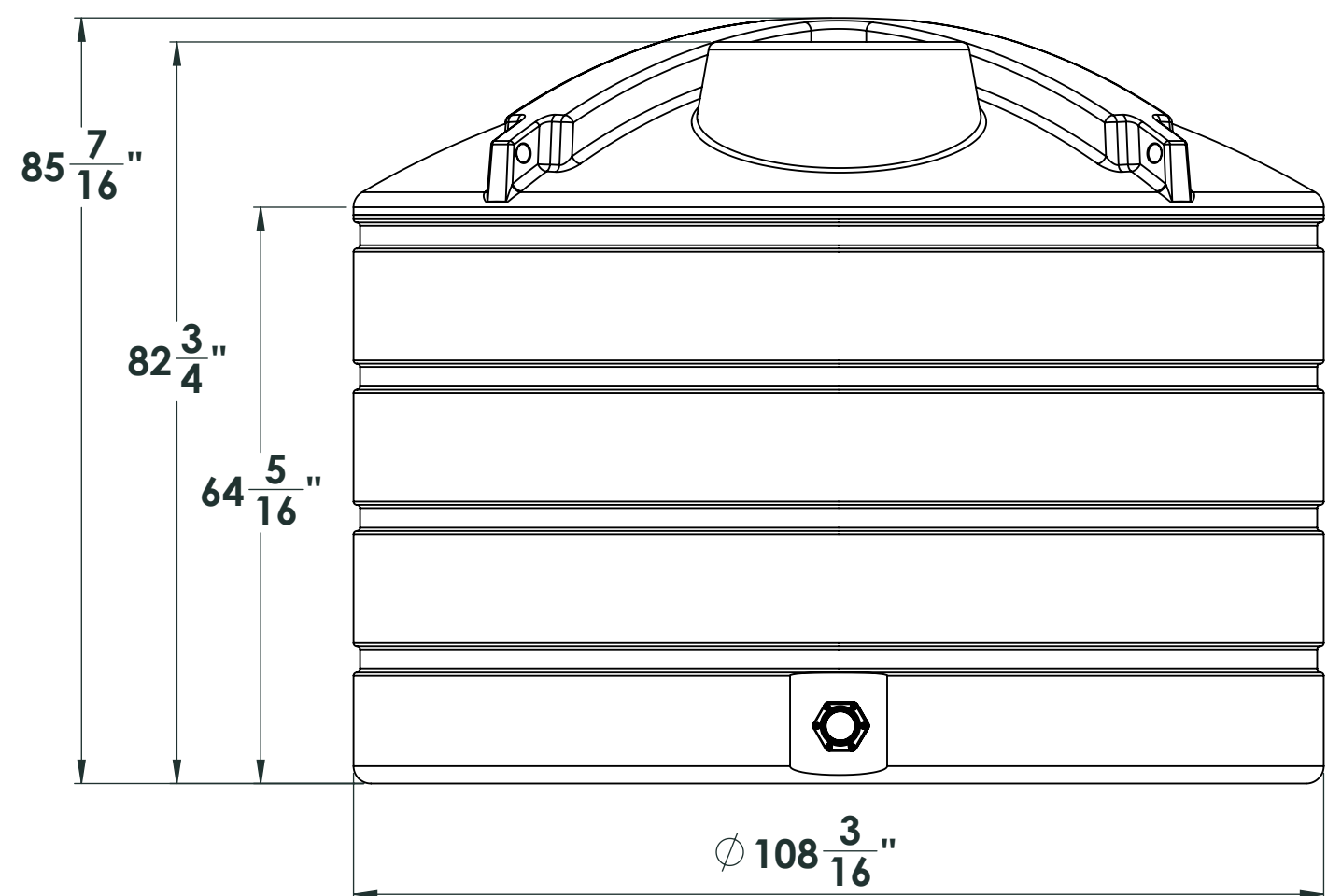
1



16 inch lid



3 inch bolted fitting



**NOTE: Allow +/- 1.5% Shrinkage**

**PROPRIETARY AND CONFIDENTIAL**  
 THE INFORMATION CONTAINED IN THIS DRAWING IS THE SOLE PROPERTY OF ENDURAPLAS LLC. ANY REPRODUCTION IN PART OR AS A WHOLE WITHOUT THE WRITTEN PERMISSION OF ENDURAPLAS LLC IS PROHIBITED.

UNLESS OTHERWISE SPECIFIED:		NAME	DATE	ENDURAPLAS LLC	
DIMENSIONS ARE IN INCHES		DRAWN	DNS		11/1/16
TOLERANCES:		CHECKED			TITLE:
FRACTIONAL ±		ENG APPR.			THV02520
ANGULAR: MACH ±		MFG APPR.		Q.A.	
BEND ±		COMMENTS:		SIZE DWG. NO.	
TWO PLACE DECIMAL ±				<b>C</b>	
THREE PLACE DECIMAL ±				SCALE: 1:50 WEIGHT:	
INTERPRET GEOMETRIC TOLERANCING PER:				SHEET 1 OF 1	
MATERIAL				REV	
FINISH				<b>1</b>	
NEXT ASSY	USED ON				
APPLICATION					
DO NOT SCALE DRAWING					

4

3

2

1

D

D

C

C

B

B

A

A